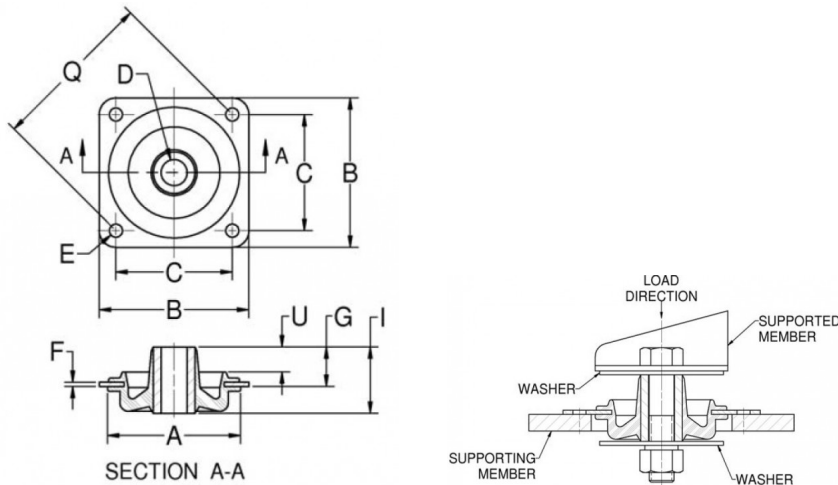


156P-13 in Multiplane Mounts (Square)



Specifications

PRODUCT TYPE	Mounts
MANUFACTURER	Lord Corporation
SERIES	156
ENCLOSURE SHAPE	Square
MAX. AXIAL LOAD RATING	13 lbs 58 N
AXIAL STATIC SPRING RATE	69 lbs/in 12.1 N/mm
MATERIAL	Steel

G 15.2 mm	0.6 in
I 24.6 mm	0.97 in
O 46 mm	1.81 in
A	1.5 in
B	1.75 in
C	1.375 in
D	0.257 in
E	0.166 in
F 1.3 mm	0.05 in
K 60.5 mm	2.38 in
L	1.937 in
M 5 mm	0.196 in
P 0.8 mm	0.032 in
Q 49.4 mm	1.945 in
O 46 mm	1.81 in
R 22.4 mm	0.88 in
S 58.9 mm	2.32 in
U 10.7 mm	0.42 in

RECOMMENDED STEEL
WASHER

J-2049-2

Washer Data

INSIDE DIAMETER 0.26 in
6.6 mm

OUTSIDE DIAMETER 1.38 in
35.1 mm

THICKNESS 0.05 in
1.3 mm

Lord Platform Mounts provide effective isolation against vibration. The contour of the flexing element was developed to provide uniform stress distribution. This, plus high strength bonding and the use of specially compounded elastomers, provides maximum service life.

These versatile mounts are available in three types, each type featuring square, diamond or holder configurations to suit a variety of design requirements. The three types, Platform Mounts, Heavy-Duty Platform Mounts and Multiplane Mounts, offer a range in load ratings from 0.5 to 600 pounds.

Snubbing washers provide an interlocking system of metal parts which act to prevent damage from overload or excessive shock impact.

Lord Platform Mounts are easy to install and provide space efficiency. Typical applications include electronic equipment, business machines, medical equipment and small pumps, engines and gen sets.

Non-Stock Item