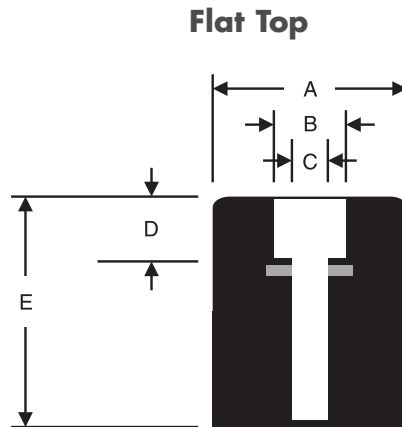




RECESSED BUMPERS

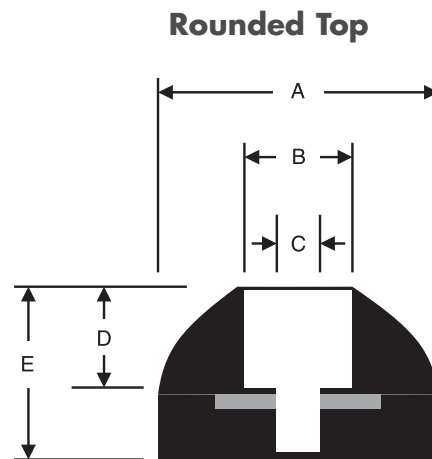


RPM Part Number	A Outside Diameter	B Recess Diameter	C Bore Diameter	D Recess Depth	E Total Height
RBW-0500-01	1/2	1/4	1/8	7/32	7/16
RBW-0625-01	5/8	1/4	1/8	5/32	9/32
RBW-0625-02	5/8	5/16	5/32	5/32	7/16
RBW-0718-01	23/32	1/4	1/8	7/32	7/16
RBW-0750-01	3/4	5/16	1/8	1/4	3/4
RBW-0750-02	3/4	3/8	3/16	1/4	9/16
RBW-1000-01	1	9/16	3/16	3/8	5/8
RBW-1000-02	1	3/8	5/32	1/4	1
RBW-1250-01	1-1/4	3/8	1/4	3/4	1-7/8
RBW-1250-02	1-1/4	3/8	1/4	3/4	1-1/4
RBW-1500-01	1-1/2	1/2	3/16	11/32	5/8
RBW-1500-02	1-1/2	3/4	5/16	11/32	5/8
RBW-1500-03	1-1/2	3/4	1/4	3/8	1-1/2

"W" indicates with Steel Washer. Recessed bumpers available upon request without steel washer inserts.

Measured in inches

RECESSED BUMPERS



RPM Part Number	A Outside Diameter	B Recess Diameter	C Bore Diameter	D Recess Depth	E Total Height
RBW-0500-02	1/2	1/4	1/8	5/32	1/4
RBW-0500-03	1/2	7/32	1/8	3/32	3/16
RBW-0937-01	15/16	3/8	3/16	7/32	3/8
RBW-1000-03	1	1/4	1/8	7/16	13/16
RBW-1000-04	1	9/32	5/32	9/32	1/2
RBW-1000-05	1	3/8	3/16	3/16	7/16
RBW-1000-06	1	5/16	5/32	5/8	1

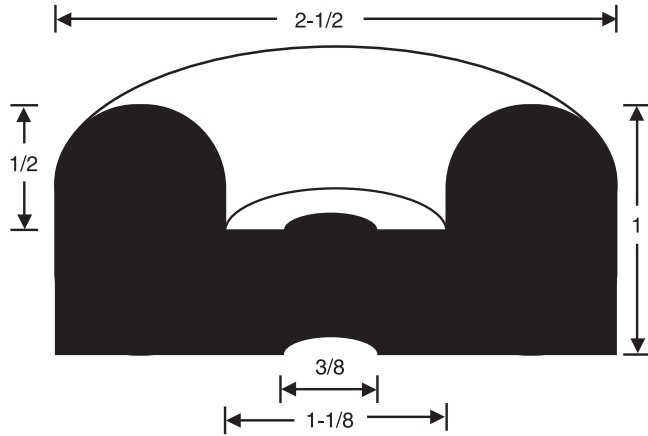
"W" indicates with Steel Washer. Recessed bumpers available upon request without steel washer inserts.

Measured in inches

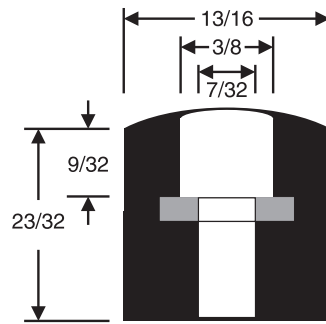
RECESSED BUMPERS

Recessed Bumpers/Bumper Pads

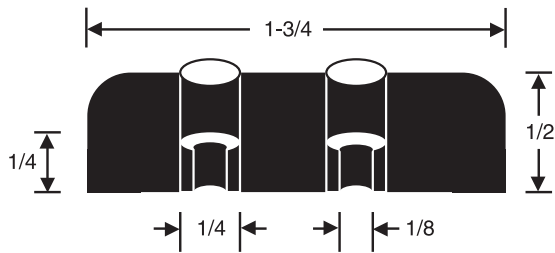
RB-2500-01



RBW-0718-02

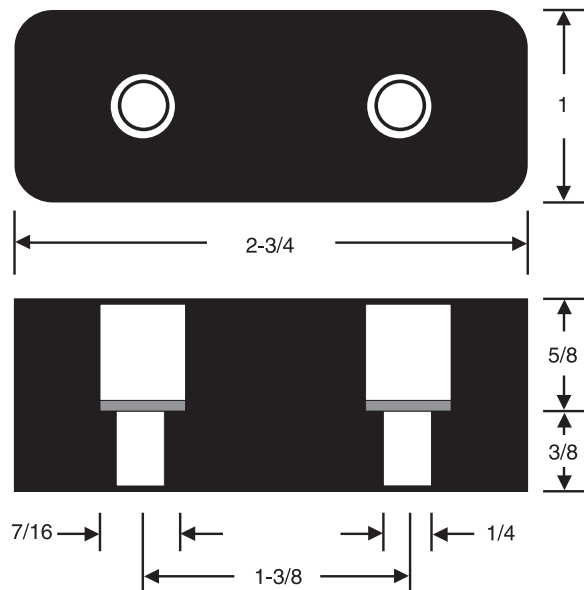


RBW-1750-01



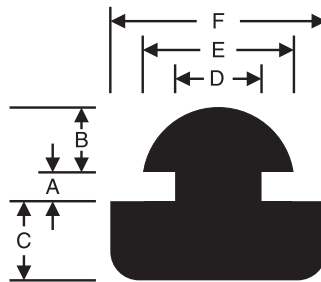
5/8-in. width

RBW-2750-01



Measured in inches

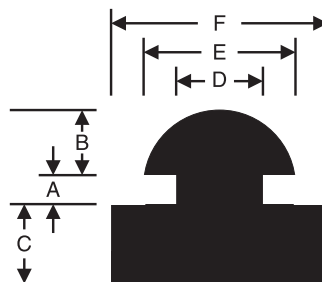
Grommet Bumper A



RPM Part Number	A Groove Width	B Head Height	C Base Height	D Groove Diameter	E Head Diameter	F Base Diameter
PB-0500-01	1/16	1/8	5/32	1/4	5/16	1/2

Measured in inches

Grommet Bumper B

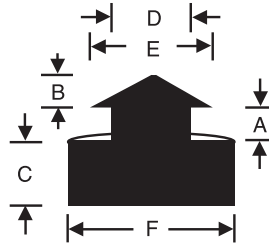


RPM Part Number	A Groove Width	B Head Height	C Base Height	D Groove Diameter	E Head Diameter	F Base Diameter
PB-0375-01	1/32	7/64	3/32	5/32	7/32	3/8
PB-0500-02	1/16	1/8	1/4	1/4	5/16	1/2
PB-0562-01	1/16	3/32	5/32	11/32	13/32	9/16
PB-0562-02	1/8	1/8	1/8	1/4	11/32	9/16
PB-0625-01	1/8	11/64	11/32	9/32	7/16	5/8
PB-1000-01	3/16	3/16	5/16	1/2	11/16	1

Measured in inches

BUMPERS

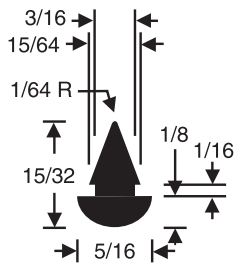
Grommet Bumper C



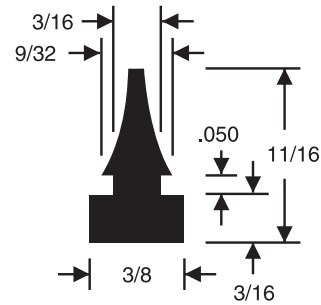
RPM Part Number	A Groove Width	B Head Height	C Base Height	D Groove Diameter	E Head Diameter	F Base Diameter
PB-0313-01	3/64	3/32	1/8	3/16	1/4	5/16
PB-0313-02	1/16	1/16	1/8	3/16	1/4	5/16
PB-0375-02	1/32	1/8	5/32	1/4	5/16	3/8
PB-0437-01	3/64	1/8	3/16	1/4	5/16	7/16
PB-0437-02	3/64	1/8	3/32	1/4	5/16	7/16
PB-0625-02	3/32	1/8	1/4	5/16	3/8	5/8

Measured in inches

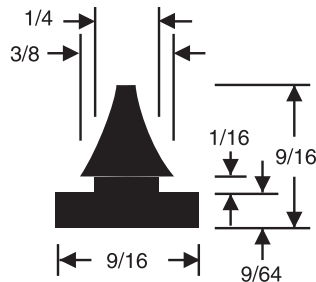
PB-0313-03



PB-0375-06

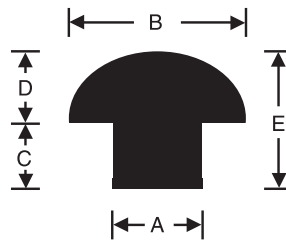


PB-0562-03



Measured in inches

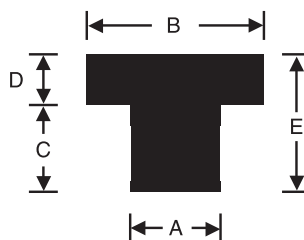
Rounded Top



RPM Part Number	A Stem Diameter	B Head Diameter	C Stem Length	D Head Height	E Overall Height
PB-0313-04	3/16	11/32	3/16	5/32	11/32
PB-0625-03	5/16	5/8	1/4	5/16	9/16
PB-0750-02	3/8	3/4	3/8	3/8	3/4

Measured in inches

Flat Top

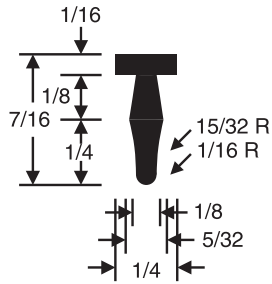


RPM Part Number	A Stem Diameter	B Head Diameter	C Stem Length	D Head Height	E Overall Height
PB-0453-01	19/64	29/64	5/16	5/32	15/32
PB-0500-06	17/64	1/2	17/64	7/64	3/8
PB-0640-01	29/64	41/64	25/64	7/64	1/2
PB-1250-01	3/4	1-1/4	11/16	1/4	15/16

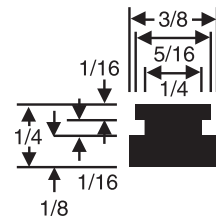
Measured in inches

BUMPERS

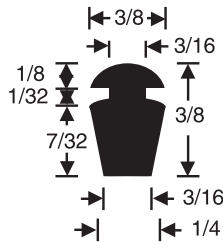
PB-0250-01



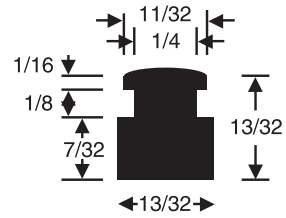
PB-0375-03



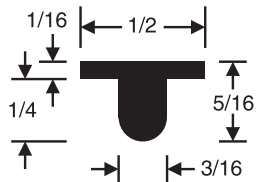
PB-0375-04



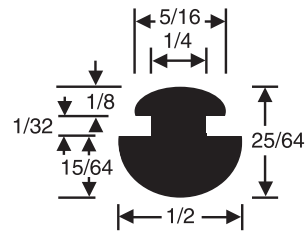
PB-0406-01



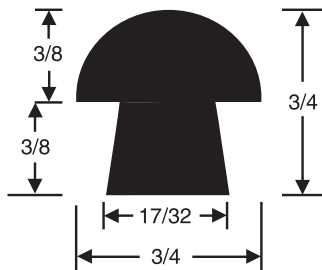
PB-0500-04



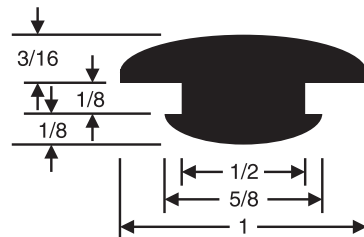
PB-0500-05



PB-0750-01

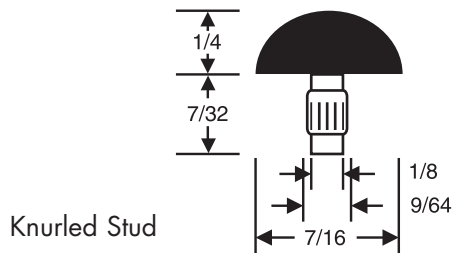


PB-1000-02

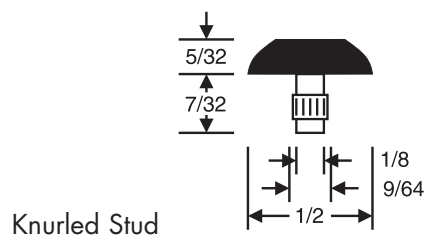


Measured in inches

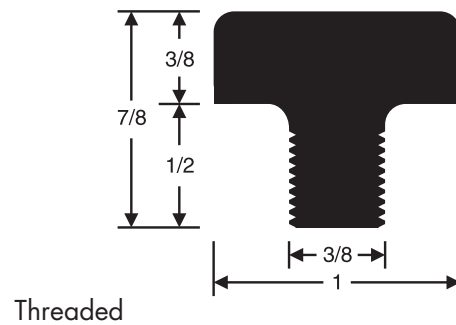
PB-0437-KS-01



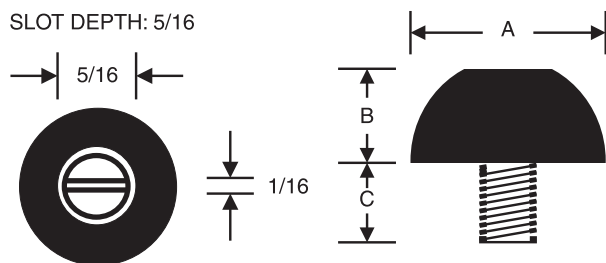
PB-0500-KS-01



PB-1000-TS-01



Machine Screws



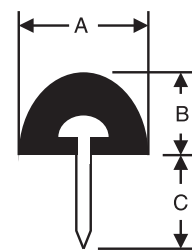
8-32 Thread

RPM Part Number	A Head Diameter	B Head Height	C Screw Height
PB-0750-MS-01	3/4	7/16	3/8
PB-0875-MS-01	7/8	1/2	1/4

Measured in inches

Rubber Headed Tack Bumpers

Tack bumpers are available in black or white.











RPM Part Number	A Head Diameter	B Head Height	C Tack Height
TACK-0375-B	3/8	1/4	3/8
TACK-0375-W	3/8	1/4	3/8
TACK-0500-B	1/2	5/16	3/8
TACK-0500-W	1/2	5/16	3/8
TACK-0625-B	5/8	3/8	3/8
TACK-0625-W	5/8	3/8	3/8
TACK-0750-B	3/4	7/16	1/2
TACK-0750-W	3/4	7/16	1/2

BUMPERS

3M Canada Bumpon™ products are made of a permanently resilient polyurethane polymer formulated especially for its unique high coefficient of friction, non-slip, non-marring features. An aggressive, high tack,

pressure sensitive adhesive protected with an easy release liner makes application fast and easy. Available in black, white, grey, brown, clear and semi-transparent.

	RPM Part Number	Width Eng ±0.02 in	Width Metric ±0.5 mm	Height Eng ±0.02 in	Height Metric ±0.5 mm	Type
	SJ-5003	0.44	11.1	0.20	5.0	Hemisphere
	SJ-5008	0.50	12.7	0.12	3.1	Tapered Square
	SJ-5009	0.88	22.3	0.40	10.1	Circular Depressed
	SJ-5012	0.50	12.7	0.14	3.5	Cylindrical
	SJ-5018	0.50	12.7	0.23	5.8	Tapered Square
	SJ-5023	0.81	20.6	0.30	7.6	Tapered Square
	SJ-5027	0.63	16.0	0.31	7.9	Hemisphere
	SJ-5532	1.88	47.7	0.66	16.7	Circular Depressed

UNABLE TO FIND THE PART YOU REQUIRE?

Contact our customer service representative for information on the many additional standard or custom parts we have available.