

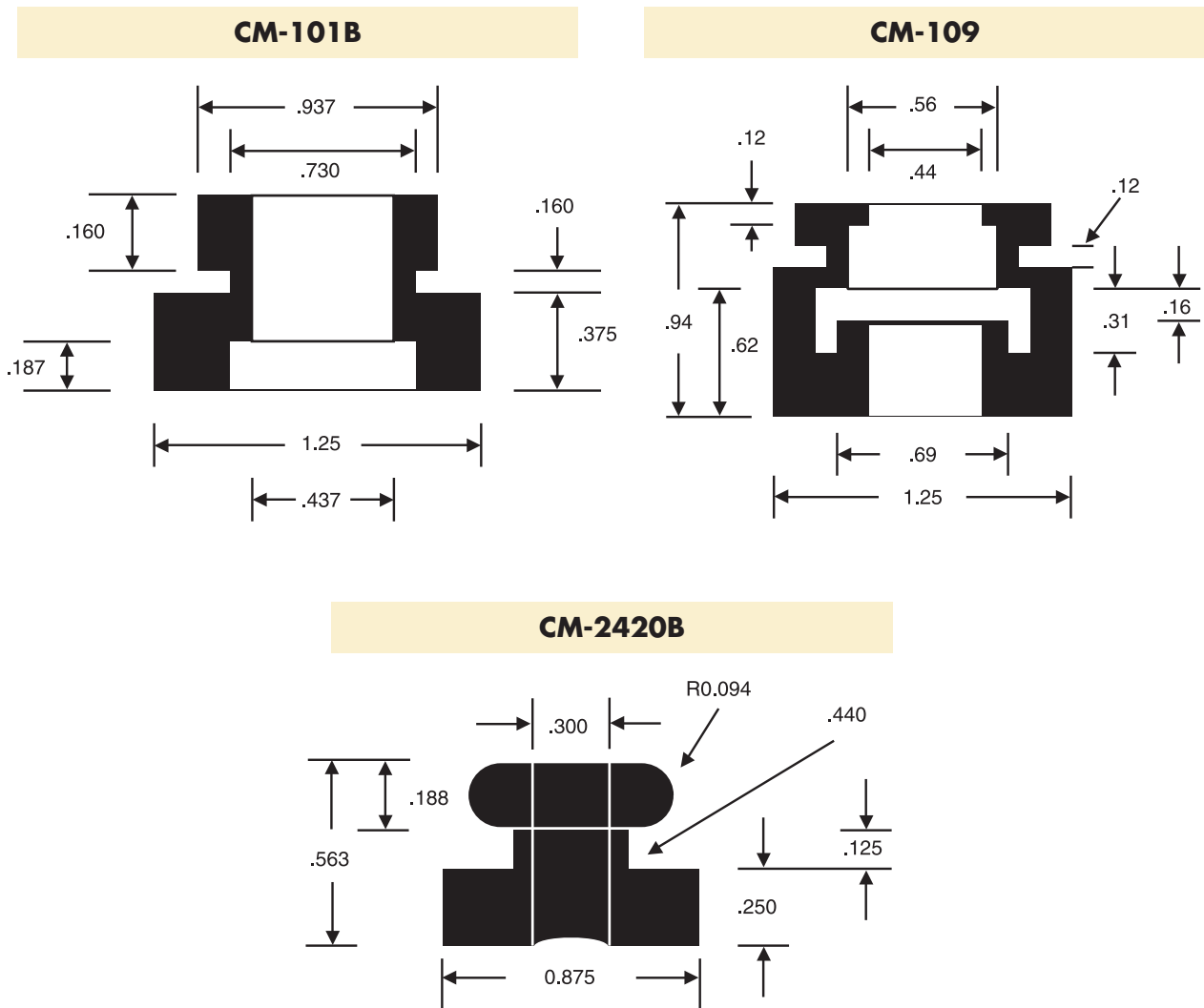
VIBRATION, SHOCK AND MOTION CONTROL

VIBRATION, SHOCK AND MOTION CONTROL



VIBRATION, SHOCK AND MOTION CONTROL

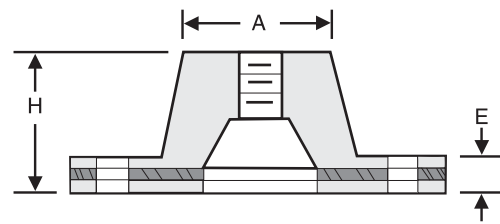
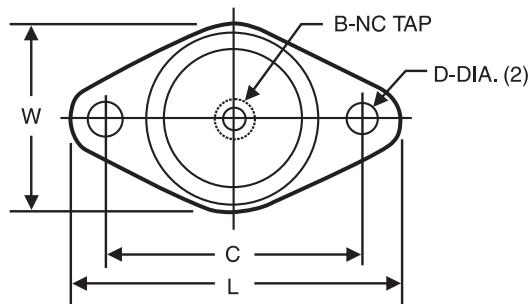
Compressor Mounts



Measured in inches

VIBRATION, SHOCK AND MOTION CONTROL

Compression Mounts



*Loads up to 4,000 lbs.
Material: Neoprene and steel

RPM Part Number	Max. Load* (lbs.)	L	W	H	A	B	C	D	E
CM-1-Blue	35	3-1/8	1-3/4	1-1/4	1-1/4	5/16	2-3/8	11/32	3/16
CM-1-Black	45	3-1/8	1-3/4	1-1/4	1-1/4	5/16	2-3/8	11/32	3/16
CM-1-Red	70	3-1/8	1-3/4	1-1/4	1-1/4	5/16	2-3/8	11/32	3/16
CM-1-Green	120	3-1/8	1-3/4	1-1/4	1-1/4	5/16	2-3/8	11/32	3/16
CM-2-Black	175	3-7/8	2-3/8	1-3/4	1-3/4	3/8	3	11/32	7/32
CM-2-Red	250	3-7/8	2-3/8	1-3/4	1-3/4	3/8	3	11/32	7/32
CM-2-Green	375	3-7/8	2-3/8	1-3/4	1-3/4	3/8	3	11/32	7/32

Measured in inches

VIBRATION, SHOCK AND MOTION CONTROL

Flex-Bolt Sandwich Mounts

Flex-Bolt Sandwich Mounts are designed to protect equipment and machinery against damaging vibration. This family of mounts has excellent capacity for energy control.

Constructed with high-strength bonds and specially compounded elastomers, these mounts provide high load-carrying capacity and assure long life.

The simple design and unitized construction provide low-cost mounting systems which are compact, lightweight, easy to install and maintenance-free.

These mounts are available in three size groups to suit a variety of applications. Small Flex-Bolt Sandwich Mounts are available in metric and standard (UNC) threads.

Typical applications for Flex-Bolt Sandwich Mounts include business machines, motorcycles, heating, ventilating and air conditioning equipment, light motors, appliances, shipping containers, feeders, compactors and vibratory rollers.

Features and Benefits:

- Economical
- Compact and lightweight
- Easy to install
- Maintenance-free
- Three size groups: small, medium and large
- Unitized construction

Part Number	Type	Elastomer *	Shear				Compression			
			Maximum Static Load		Spring Rate K_S		Maximum Static Load		Spring Rate K_C	
			Ibs	N	Ibs/in	N/mm	Ibs	N	Ibs/in	N/mm
SMB003-0100-1	1	NR	1	4	18	3	7	31	100	18
SMB003-0100-2	1	NR	1.5	7	26	5	10	44	138	24
SMB003-0100-7	1	OR	1.5	7	26	5	10	44	180	32
SMB003-0100-3	1	NR	2	9	40	7	13	58	200	35
SMB003-0100-8	1	OR	2	9	40	7	13	58	200	35
SMB003-0100-43	1	OR	2.5	11	30	5	11	49	143	25
SMB003-0100-42	1	OR	2.5	11	30	5	11	49	143	25
SMB003-0100-9	1	OR	3	13	50	9	17	76	285	50
SMB003-0200-6	2	OR	1	4	28	5	6	27	190	33
SMB003-0200-9	2	OR	3	13	120	21	11	49	360	63
SMB003-0100-12	1	OR	4	18	375	66	25	111	2000	350
SMB006-0100-2	1	NR	5	22	55	10	35	156	325	57
SMB006-0100-7	1	OR	5	22	55	10	35	156	325	57
SMB006-0100-4	1	NR	9	40	105	18	60	267	540	95
SMB006-0100-9	1	OR	9	40	105	18	60	267	700	123
SMB006-0200-6	2	OR	4	18	90	16	17	76	510	89
SMB006-0200-9	2	OR	7	31	180	32	35	156	1020	179
J-4624-109	1	OR	3	13	28	5	28	125	195	34
J-4624-43	2	NR	4	18	130	23	18	80	565	99
J-4624-19	1	NR	6	27	55	10	36	160	320	56

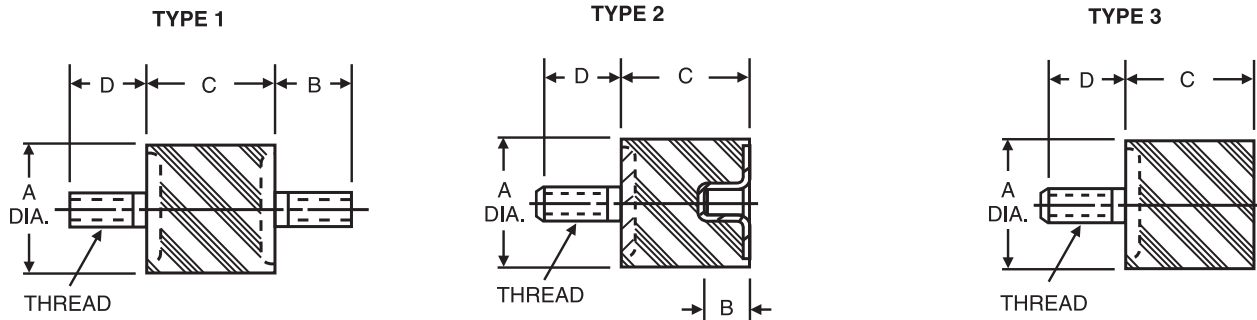
VIBRATION, SHOCK AND MOTION CONTROL

Part Number	Type	Elastomer *	Shear				Compression			
			Maximum Static Load		Spring Rate K_S		Maximum Static Load		Spring Rate K_C	
			lbs	N	lbs/in	N/mm	lbs	N	lbs/in	N/mm
J-4624-57	1	NR	6	27	55	10	36	160	320	56
J-4624-479	2	OR	8	36	230	40	44	196	1000	175
J-4624-165	2	NR	9	40	185	32	35	156	765	134
J-4624-1	1	OR	12	53	105	18	64	285	620	109
J-4624-14	1	OR	12	53	105	18	64	285	620	109
J-4624-27	1	OR	12	53	105	18	64	285	620	109
J-4624-119	1	OR	12	53	105	18	64	285	620	109
J-4624-23	1	OR	17	76	180	18	110	489	940	165
J-4624-63	1	OR	22	98	200	35	135	601	1200	210
J-4624-13	1	OR	22	98	200	35	135	601	1200	210
J-4624-3	1	OR	22	98	300	53	135	601	1470	257
J-4624-45	1	OR	22	98	200	35	135	601	1200	210
J-4624-545	2	OR	22	98	500	53	135	601	2100	368
J-4624-32	1	OR	29	129	260	46	200	890	1800	315
J-4624-351	1	OR	29	129	260	46	200	890	1800	315
J-4624-10	2	NR	40	178	750	131	168	747	4200	735
J-4624-7	3	NR	—	—	—	—	30	133	400	70
J-4624-2	3	OR	—	—	—	—	90	400	750	131
J-11729-123	1	NR	20	89	150	26	180	801	950	166
J-11729-126	1	OR	25	111	185	32	190	845	1000	175
J-11729-169	1	NR	30	133	125	22	225	1001	900	158
J-11729-124	1	NR	35	156	320	56	300	1334	1715	300
J-11729-127	1	OR	35	156	320	56	300	1334	1600	280
J-11729-125	1	NR	50	222	380	67	420	1868	2000	350
J-11729-177	2	OR	20	89	225	39	60	267	900	158
J-11729-187	2	OR	22	98	320	56	100	445	2050	359
J-11729-190	2	NR	25	111	110	19	120	534	500	88
J-11729-195	3	OR	—	—	—	—	250	1112	1820	319

* NR = Natural Rubber
 OR = Oil Resistant Elastomer – Neoprene

VIBRATION, SHOCK AND MOTION CONTROL

Flex-Bolt Sandwich Mounts



Part Number	Part Dimensions								Bolt Information	
	A		B		C		D		Thread Size	Grade per SAE J429
	in	mm	in	mm	in	mm	in	mm		
SMB003-0100-1	.38	9.7	.38	9.7	.50	12.7	.38	9.7	8-32	1
SMB003-0100-2	.38	9.7	.38	9.7	.50	12.7	.38	9.7	8-32	1
SMB003-0100-7	.38	9.7	.38	9.7	.50	12.7	.38	9.7	8-32	1
SMB003-0100-3	.38	9.7	.38	9.7	.50	12.7	.38	9.7	8-32	1
SMB003-0100-8	.38	9.7	.38	9.7	.50	12.7	.38	9.7	8-32	1
SMB003-0100-43	.38	9.7	.38	9.7	.50	12.7	.38	9.7	6-32	1
SMB003-0100-42	.38	9.7	.38	9.7	.50	12.7	.38	9.7	10-32	1
SMB003-0100-9	.38	9.7	.38	9.7	.50	12.7	.38	9.7	8-32	1
SMB003-0200-6	.38	9.7	.19	4.8	.50	12.7	.38	9.7	8-32	1
SMB003-0200-9	.38	9.7	.19	4.8	.50	12.7	.38	9.7	8-32	1
SMB003-0100-12	.38	9.7	.38	9.7	.25	6.4	.38	9.7	8-32	1
SMB006-0100-2	.62	15.7	.50	12.7	.62	15.7	.50	12.7	1/4-20	1
SMB006-0100-7	.62	15.7	.50	12.7	.62	15.7	.50	12.7	1/4-20	1
SMB006-0100-4	.62	15.7	.50	12.7	.62	15.7	.50	12.7	1/4-20	1
SMB006-0100-9	.62	15.7	.50	12.7	.62	15.7	.50	12.7	1/4-20	1
SMB006-0200-6	.62	15.7	.25	6.4	.62	15.7	.50	12.7	1/4-20	1
SMB006-0200-9	.62	15.7	.25	6.4	.62	15.7	.50	12.7	1/4-20	1
J-4624-109	1.0	25.4	.38	9.7	.75	19.1	.38	9.7	1/4-20	1
J-4624-43	1.0	25.4	.25	6.4	.25	19.1	.38	9.7	1/4-20	1
J-4624-19	1.0	25.4	.38	9.7	.75	19.1	.38	9.7	1/4-20	1
J-4624-57	1.0	25.4	.62	15.7	.75	19.1	.62	15.7	5/16-18	1
J-4624-479	1.0	25.4	.25	6.4	.75	19.1	.50	12.7	1/4-20	1
J-4624-165	1.0	25.4	.25	6.4	.75	19.1	.62	15.7	1/4-20	1
J-4624-1	1.0	25.4	.38	9.7	.75	19.1	.38	9.7	1/4-20	1
J-4624-14	1.0	25.4	.50	12.7	.75	19.1	.50	12.7	1/4-20	1
J-4624-27	1.0	25.4	.75	19.1	.75	19.1	.75	19.1	1/4-20	1
J-4624-119	1.0	25.4	.88	22.4	.75	19.1	.50	12.7	5/16-18	1
J-4624-23	1.0	25.4	.62	15.7	.75	19.1	.62	15.7	1/4-20	1
J-4624-63	1.0	25.4	.75	19.1	.75	19.1	.50	12.7	1/4-20	1
J-4624-13	1.0	25.4	.50	12.7	.75	19.1	.50	12.7	5/16-18	1
J-4624-3	1.0	25.4	.88	22.4	.75	19.1	.50	12.7	5/16-18	1
J-4624-45	1.0	25.4	.75	19.1	.75	19.1	.75	19.1	5/16-18	1
J-4624-545	1.0	25.4	.25	6.4	.75	19.1	.50	12.7	5/16-18	1
J-4624-32	1.0	25.4	.50	12.7	.75	19.1	.50	12.7	1/4-20	1

VIBRATION, SHOCK AND MOTION CONTROL

Part Number	Part Dimensions								Bolt Information	
	A		B		C		D		Thread Size	Grade per SAE J429
	in	mm	in	mm	in	mm	in	mm		
J-4624-351	1.0	25.4	.50	12.7	.75	19.1	.50	12.7	5/16-18	1
J-4624-10	1.0	25.4	.25	6.4	.75	19.1	.38	9.7	1/4-20	1
J-4624-7	1.0	25.4	—	—	.69	17.5	.38	9.7	1/4-20	1
J-4624-2	1.0	25.4	—	—	.69	17.5	.38	9.7	1/4-20	1
J-11729-123	1.5	38.1	.75	19.1	1.0	25.4	.75	19.1	.38-16	1
J-11729-126	1.5	38.1	.75	19.1	1.0	25.4	.75	19.1	.38-16	1
J-11729-169	1.5	38.1	.75	19.1	1.5	38.1	.75	19.1	.38-16	1
J-11729-124	1.5	38.1	.75	19.1	1.0	25.4	.75	19.1	.38-16	1
J-11729-127	1.5	38.1	.75	19.1	1.0	25.4	.75	19.1	.38-16	1
J-11729-125	1.5	38.1	.75	19.1	1.0	25.4	.75	19.1	.38-16	1
J-11729-177	1.5	38.1	.38	9.7	1.0	25.4	.75	19.1	.38-16	1
J-11729-187	1.5	38.1	.38	9.7	1.0	25.4	.75	19.1	.38-16	1
J-11729-190	1.5	38.1	.38	9.7	1.5	38.1	.75	19.1	.38-16	1
J-11729-195	1.5	38.1	—	—	1.0	25.4	.75	19.1	.38-16	1

RPM Mechanical Inc. is an authorized distributor of **LORD**, vibration, shock and motion control products.

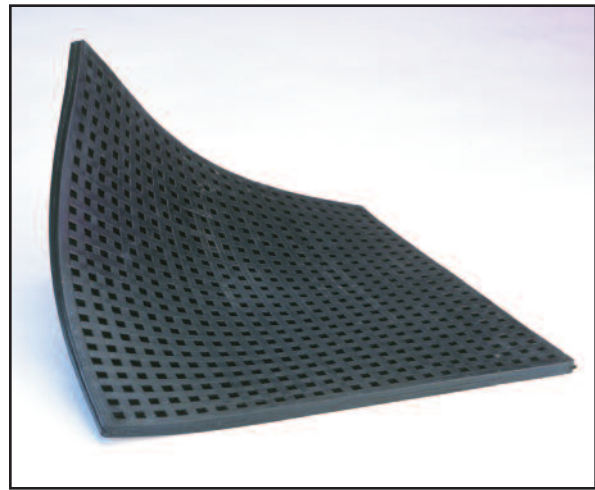
VIBRATION, SHOCK AND MOTION CONTROL

Anti-Vibration Pads

An easy and inexpensive way to isolate vibration and reduce the noise level of machinery and equipment. Recommended for maximum loads of 200 psi.

Note: Allow 1/2" margin on all sides around feet of machine when installing.

RPM Part Number	Material	Load Range (psi)	Size (inches)
WAFFLE PAD-101	Neoprene	50 - 200	18 x 18 x 1/2
WAFFLE PAD-102	Neoprene	10 - 50	18 x 18 x 5/16



Waffled both sides

UNABLE TO FIND THE PART YOU REQUIRE?

Contact our customer service representative for information on the many additional standard or custom parts we have available.