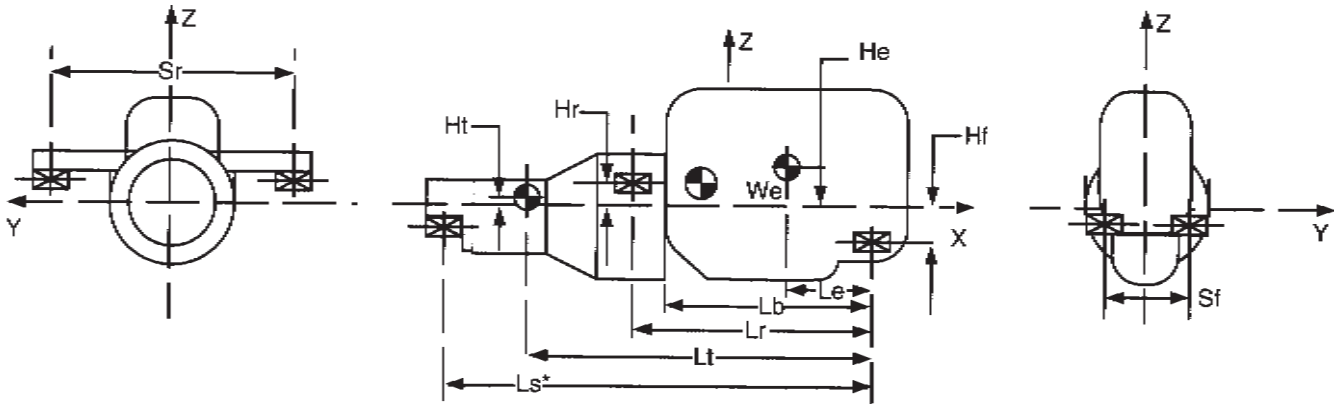


DATA REQUIRED FOR ENGINE ANALYSIS



1. Engine Model & Manufacturer _____
2. Transmission Model & Manufacturer _____
3. Engine Weight (Wet, Including Accessories) We = _____
4. Transmission Weight (Wet) Wt = _____
5. Engine C.G. Height Above CSCL He = _____
6. Transmission C.G. Height Above/Below CSCL Ht = _____
7. Front Mount Location Above/Below CSCL Hf = _____
8. Rear Mount Location Above/Below CSCL Hr = _____
9. Engine C.G. Location Behind Front Mount Le = _____
10. Rear Face of Block Behind Front Mount Lb = _____
11. Rear Mount Location Behind Front Mount Lr = _____
12. Transmission C.G. Location Behind Front Mount Lt = _____
13. Rear Mounting Spread Sr = _____
14. Front Mounting Spread (Zero for Single Front Mount) Sf = _____
15. Engine Speed NI = _____
NO = _____
 - Idle
 - Operating
16. Number of Cylinders and Arrangement (I-6, 90° V-8, etc.) _____
17. Two or Four Stroke _____
18. Tail Support Location Behind Front Mount (If Applicable) Ls = _____
- *19. Moments of Inertia of Total System or for all Components
 (Engine, Transmission, etc.) Ixx = _____
Iyy = _____
Izz = _____
**(If These Are Not Available, a Drawing of the Engine /
 Transmission System is Required, Outline Dimensions Required.)**
TO = _____
20. Output Torque (Including Highest Gear Multiplication)
21. Firing Sequence _____
22. Crankshaft Arrangement (# of Throws, Staggered Throw, etc) _____
23. Application: on-highway off-highway severe duty (provide details of application) _____

* A TAIL SUPPORT MOUNT IS NECESSARY IF STATIC BENDING MOMENT ON REAR FACE OF BLOCK (RFOB) IS GREATER THAN THE MANUFACTURER'S RATING.

Photocopy and complete the questionnaire from catalog and mail or fax to: RPM Mechanical Inc.
 2290 Industrial Street, Burlington, Ontario, Canada L7P 1A1 • Tel (905) 335-5523 • Fax (905) 335-5843
 www.rpmmech.com • Email: sales@rpmmech.com