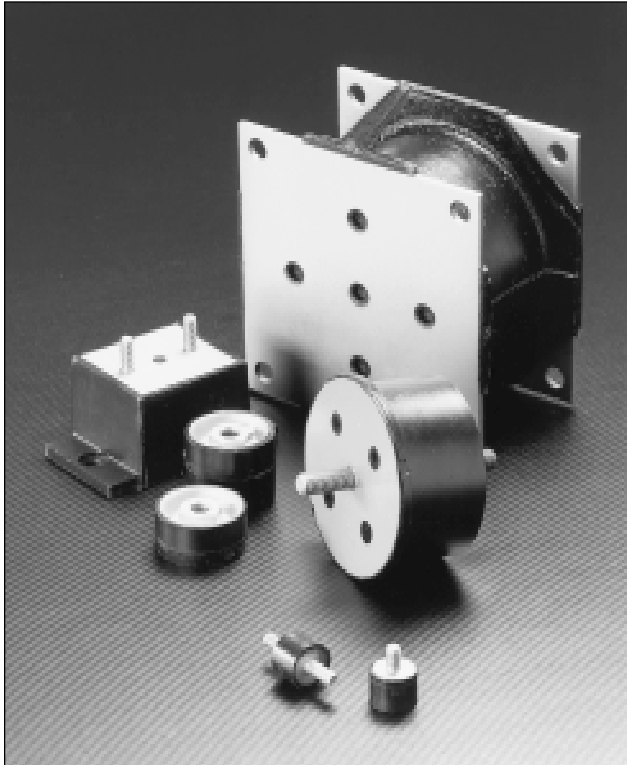


Flex-Bolt® Sandwich Mounts



Featuring: Small Sandwich Mounts
(Standard UNC Threads)
Small Sandwich Mounts
(Metric Threads)
Medium Sandwich Mounts
Large Sandwich Mounts

Flex-Bolt® Sandwich Mounts are designed to protect equipment and machinery against damaging vibration. This family of mounts has excellent capacity for energy control.

Constructed with high-strength bonds and specially compounded elastomers, these mounts provide high load-carrying capacity and assure long life.

The simple design and unitized construction provide low-cost mounting systems which are compact, lightweight, easy to install and maintenance-free.

These mounts are available in three size groups to suit a variety of applications. Small Flex-Bolt Sandwich Mounts are available in metric and standard (UNC) threads.

Typical applications for Flex-Bolt Sandwich Mounts include business machines, motorcycles, heating, ventilating and air conditioning equipment, light motors, appliances, shipping containers, feeders, compactors and vibratory rollers.

Features and Benefits:

- Economical.
- Compact and lightweight.
- Easy to install.
- Maintenance-free.
- Three size groups: small, medium and large.
- Unitized construction.

Flex-Bolt® Sandwich Mounts

Small Sandwich Mounts — Standard UNC Threads

Specifications and Dimensions: Table 1.

Part Number	Type	Elastomer ●	Shear				Compression				Part Dimensions			
			Maximum Static Load		Spring Rate K _S		Maximum Static Load		Spring Rate K _C		A		B	
			lbs	N	lbs/in	N/mm	lbs	N	lbs/in	N/mm	in	mm	in	mm
SMB003-0100-1	1	NR	1	4	18	3	7	31	100	18	.38	9.7	.38	9.7
SMB003-0100-2	1	NR	1.5	7	26	5	10	44	138	24	.38	9.7	.38	9.7
SMB003-0100-7	1	OR	1.5	7	26	5	10	44	180	32	.38	9.7	.38	9.7
SMB003-0100-3	1	NR	2	9	40	7	13	58	200	35	.38	9.7	.38	9.7
SMB003-0100-8	1	OR	2	9	40	7	13	58	200	35	.38	9.7	.38	9.7
SMB003-0100-43	1	OR	2.5	11	30	5	11	49	143	25	.38	9.7	.38	9.7
SMB003-0100-42	1	OR	2.5	11	30	5	11	49	143	25	.38	9.7	.38	9.7
SMB003-0100-9	1	OR	3	13	50	9	17	76	285	50	.38	9.7	.38	9.7
SMB003-0200-6	2	OR	1	4	28	5	6	27	190	33	.38	9.7	.19	4.8
SMB003-0200-9	2	OR	3	13	120	21	11	49	360	63	.38	9.7	.19	4.8
SMB003-0100-12	1	OR	4	18	375	66	25	111	2000	350	.38	9.7	.38	9.7
SMB006-0100-2	1	NR	5	22	55	10	35	156	325	57	.62	15.7	.50	12.7
SMB006-0100-7	1	OR	5	22	55	10	35	156	325	57	.62	15.7	.50	12.7
SMB006-0100-4	1	NR	9	40	105	18	60	267	540	95	.62	15.7	.50	12.7
SMB006-0100-9	1	OR	9	40	105	18	60	267	700	123	.62	15.7	.50	12.7
SMB006-0200-6	2	OR	4	18	90	16	17	76	510	89	.62	15.7	.25	6.4
SMB006-0200-9	2	OR	7	31	180	32	35	156	1020	179	.62	15.7	.25	6.4
J-4624-109	1	OR	3	13	28	5	28	125	195	34	1.0	25.4	.38	9.7
J-4624-43	2	NR	4	18	130	23	18	80	565	99	1.0	25.4	.25	6.4
J-4624-19	1	NR	6	27	55	10	36	160	320	56	1.0	25.4	.38	9.7
J-4624-57	1	NR	6	27	55	10	36	160	320	56	1.0	25.4	.62	15.7
J-4624-479	2	OR	8	36	230	40	44	196	1000	175	1.0	25.4	.25	6.4
J-4624-165	2	NR	9	40	185	32	35	156	765	134	1.0	25.4	.25	6.4
J-4624-1	1	OR	12	53	105	18	64	285	620	109	1.0	25.4	.38	9.7
J-4624-14	1	OR	12	53	105	18	64	285	620	109	1.0	25.4	.50	12.7
J-4624-27	1	OR	12	53	105	18	64	285	620	109	1.0	25.4	.75	19.1
J-4624-119	1	OR	12	53	105	18	64	285	620	109	1.0	25.4	.88	22.4
J-4624-23	1	OR	17	76	180	18	110	489	940	165	1.0	25.4	.62	15.7
J-4624-63	1	OR	22	98	200	35	135	601	1200	210	1.0	25.4	.75	19.1
J-4624-13	1	OR	22	98	200	35	135	601	1200	210	1.0	25.4	.50	12.7
J-4624-3	1	OR	22	98	300	53	135	601	1470	257	1.0	25.4	.88	22.4
J-4624-45	1	OR	22	98	200	35	135	601	1200	210	1.0	25.4	.75	19.1
J-4624-545	2	OR	22	98	500	53	135	601	2100	368	1.0	25.4	.25	6.4
J-4624-32	1	OR	29	129	260	46	200	890	1800	315	1.0	25.4	.50	12.7
J-4624-351	1	OR	29	129	260	46	200	890	1800	315	1.0	25.4	.50	12.7
J-4624-10	2	NR	40	178	750	131	168	747	4200	735	1.0	25.4	.25	6.4
J-4624-7	3	NR	—	—	—	—	30	133	400	70	1.0	25.4	—	—
J-4624-2	3	OR	—	—	—	—	90	400	750	131	1.0	25.4	—	—
J-11729-123	1	NR	20	89	150	26	180	801	950	166	1.5	38.1	.75	19.1
J-11729-126	1	OR	25	111	185	32	190	845	1000	175	1.5	38.1	.75	19.1
J-11729-169	1	NR	30	133	125	22	225	1001	900	158	1.5	38.1	.75	19.1
J-11729-124	1	NR	35	156	320	56	300	1334	1715	300	1.5	38.1	.75	19.1
J-11729-127	1	OR	35	156	320	56	300	1334	1600	280	1.5	38.1	.75	19.1
J-11729-125	1	NR	50	222	380	67	420	1868	2000	350	1.5	38.1	.75	19.1
J-11729-177	2	OR	20	89	225	39	60	267	900	158	1.5	38.1	.38	9.7
J-11729-187	2	OR	22	98	320	56	100	445	2050	359	1.5	38.1	.38	9.7
J-11729-190	2	NR	25	111	110	19	120	534	500	88	1.5	38.1	.38	9.7
J-11729-195	3	OR	—	—	—	—	250	1112	1820	319	1.5	38.1	—	—

● NR = Natural Rubber
OR = Oil Resistant Elastomer - Neoprene

Small Sandwich Mounts — Standard UNC Threads

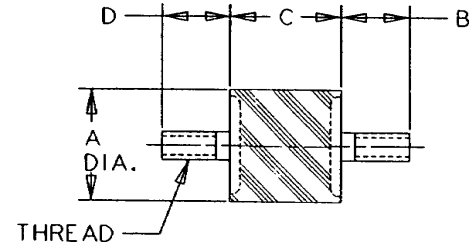
Specifications and Dimensions: Table 2.

Part Number	Part Dimensions				Bolt Information*	
	C		D		Thread Size	Grade per SAE J429
	in	mm	in	mm		
SMB003-0100-1	.50	12.7	.38	9.7	8-32	1
SMB003-0100-2	.50	12.7	.38	9.7	8-32	1
SMB003-0100-7	.50	12.7	.38	9.7	8-32	1
SMB003-0100-3	.50	12.7	.38	9.7	8-32	1
SMB003-0100-8	.50	12.7	.38	9.7	8-32	1
SMB003-0100-43	.50	12.7	.38	9.7	6-32	1
SMB003-0100-42	.50	12.7	.38	9.7	10-32	1
SMB003-0100-9	.50	12.7	.38	9.7	8-32	1
SMB003-0200-6	.50	12.7	.38	9.7	8-32	1
SMB003-0200-9	.50	12.7	.38	9.7	8-32	1
SMB003-0100-12	.25	6.4	.38	9.7	8-32	1
SMB006-0100-2	.62	15.7	.50	12.7	1/4-20	1
SMB006-0100-7	.62	15.7	.50	12.7	1/4-20	1
SMB006-0100-4	.62	15.7	.50	12.7	1/4-20	1
SMB006-0100-9	.62	15.7	.50	12.7	1/4-20	1
SMB006-0200-6	.62	15.7	.50	12.7	1/4-20	1
SMB006-0200-9	.62	15.7	.50	12.7	1/4-20	1
J-4624-109	.75	19.1	.38	9.7	1/4-20	1
J-4624-43	.75	19.1	.38	9.7	1/4-20	1
J-4624-19	.75	19.1	.38	9.7	1/4-20	1
J-4624-57	.75	19.1	.62	15.7	5/16-18	1
J-4624-479	.75	19.1	.50	12.7	1/4-20	1
J-4624-165	.75	19.1	.62	15.7	1/4-20	1
J-4624-1	.75	19.1	.38	9.7	1/4-20	1
J-4624-14	.75	19.1	.50	12.7	1/4-20	1
J-4624-27	.75	19.1	.75	19.1	1/4-20	1
J-4624-119	.75	19.1	.50	12.7	5/16-18	1
J-4624-23	.75	19.1	.62	15.7	1/4-20	1
J-4624-63	.75	19.1	.50	12.7	1/4-20	1
J-4624-13	.75	19.1	.50	12.7	5/16-18	1
J-4624-3	.75	19.1	.50	12.7	5/16-18	1
J-4624-45	.75	19.1	.75	19.1	5/16-18	1
J-4624-545	.75	19.1	.50	12.7	5/16-18	1
J-4624-32	.75	19.1	.50	12.7	1/4-20	1
J-4624-351	.75	19.1	.50	12.7	5/16-18	1
J-4624-10	.75	19.1	.38	9.7	1/4-20	1
J-4624-7	.69	17.5	.38	9.7	1/4-20	1
J-4624-2	.69	17.5	.38	9.7	1/4-20	1
J-11729-123	1.0	25.4	.75	19.1	.38-16	1
J-11729-126	1.0	25.4	.75	19.1	.38-16	1
J-11729-169	1.5	38.1	.75	19.1	.38-16	1
J-11729-124	1.0	25.4	.75	19.1	.38-16	1
J-11729-127	1.0	25.4	.75	19.1	.38-16	1
J-11729-125	1.0	25.4	.75	19.1	.38-16	1
J-11729-177	1.0	25.4	.75	19.1	.38-16	1
J-11729-187	1.0	25.4	.75	19.1	.38-16	1
J-11729-190	1.5	38.1	.75	19.1	.38-16	1
J-11729-195	1.0	25.4	.75	19.1	.38-16	1

* For tightening torque information, see Pp 121 and 122.

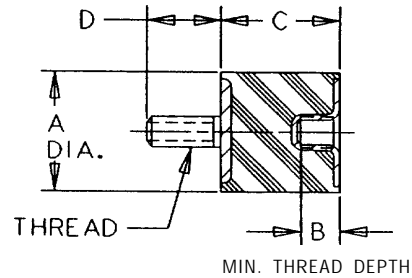
Part Dimension — Type 1

Figure 1



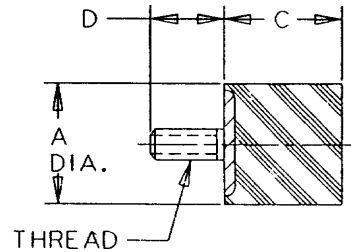
Part Dimension — Type 2

Figure 2



Part Dimension — Type 3

Figure 3



Flex-Bolt® Sandwich Mounts

Small Sandwich Mounts — Metric Threads

Specifications and Dimensions: Table 1.

Part Number	Type	Elastomer ●	Shear				Compression				Part Dimensions			
			Maximum Static Load		Spring Rate K _S		Maximum Static Load		Spring Rate K _C		A		B	
			lbs	N	lbs/in	N/mm	lbs	N	lbs/in	N/mm	in	m m	in	m m
SMB003-0400-7†	1	OR	1.5	7	30	5	10	44	180	32	.38	9.7	.38	9.7
SMB003-0400-8†	1	OR	2	9	40	7	13	58	200	35	.38	9.7	.38	9.7
SMB003-0400-9	1	OR	3	13	55	10	17	76	285	50	.38	9.7	.38	9.7
SMB003-0500-6	2	OR	1	4	55	10	7	31	295	52	.38	9.7	.19	4.8
SMB003-0500-9†	2	OR	2	9	120	21	11	49	460	81	.38	9.7	.19	4.8
SMB006-0400-7	1	OR	5	22	55	10	35	156	320	56	.62	15.7	.50	12.7
SMB006-0400-8†	1	OR	7	31	100	18	46	205	500	88	.62	15.7	.50	12.7
SMB006-0400-9†	1	OR	9	40	140	25	60	267	700	123	.62	15.7	.50	12.7
SMB006-0500-6	2	OR	4	18	110	19	17	76	550	96	.62	15.7	.25	6.3
SMB006-0500-9†	2	OR	7	31	220	39	35	156	800	151	.62	15.7	.25	6.3
J-4624-616	1	OR	14	62	125	22	95	423	700	123	1.0	25.4	.75	19.0
J-4624-617†	1	OR	17	76	200	35	110	489	1050	184	1.0	25.4	.75	19.0
J-4624-618	1	OR	22	98	220	39	145	645	1200	210	1.0	25.4	.75	19.0
J-4624-640	2	NR	6	27	155	27	45	200	750	131	1.0	25.4	.25	6.3
J-4624-643	2	NR	12	53	500	88	88	391	1700	298	1.0	25.4	.25	6.3

Metal Parts — Steel per SAE J429, Grade 1

● NR = Natural Rubber
OR = Oil Resistant Elastomer - Neoprene

† Non-Stock Item, please contact Lord Corporation for availability.

Small Sandwich Mounts — Metric Threads

Specifications and Dimensions: Table 2.

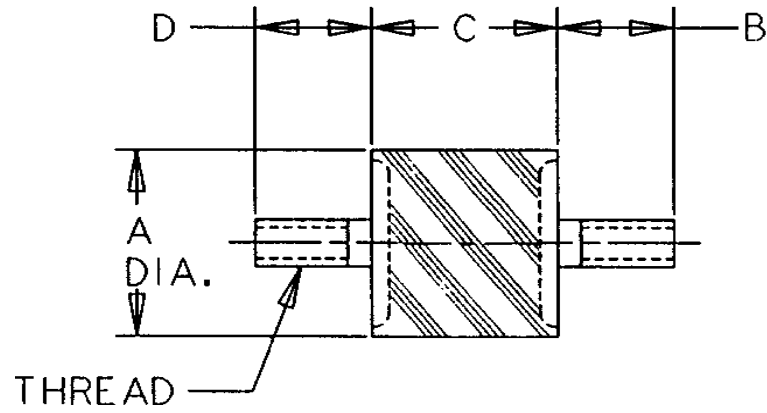
Part Number	Part Dimensions				Bolt Information*	
	C		D		Thread Size	Class per SAE J1199
	in	m m	in	m m		
SMB003-0400-7	.50	12.7	.38	9.7	M4 x 0.7	4.6
SMB003-0400-8	.50	12.7	.38	9.7	M4 x 0.7	4.6
SMB003-0400-9	.50	12.7	.38	9.7	M4 x 0.7	4.6
SMB003-0500-6	.50	12.7	.38	9.7	M4 x 0.7	4.6
SMB003-0500-9	.50	12.7	.38	9.7	M4 x 0.7	4.6
SMB006-0400-7	.62	15.7	.50	12.7	M6 x 1.0	4.6
SMB006-0400-8	.62	15.7	.50	12.7	M6 x 1.0	4.6
SMB006-0400-9†	.62	15.7	.50	12.7	M6 x 1.0	4.6
SMB006-0500-6	.62	15.7	.50	12.7	M6 x 1.0	4.6
SMB006-0500-9†	.62	15.7	.50	12.7	M6 x 1.0	4.6
J-4624-616	.75	19.0	.75	19.0	M6 x 1.0	4.6
J-4624-617†	.75	19.0	.75	19.0	M6 x 1.0	4.6
J-4624-618†	.75	19.0	.75	19.0	M6 x 1.0	4.6
J-4624-640	.75	19.0	.75	19.0	M6 x 1.0	4.6
J-4624-643	.75	19.0	.75	19.0	M6 x 1.0	4.6

Metal Parts — Steel per SAE J429, Grade 1
* For tightening torque information, see Pp. 121 and 122.

† Non-Stock Item, please contact Lord Corporation for availability.

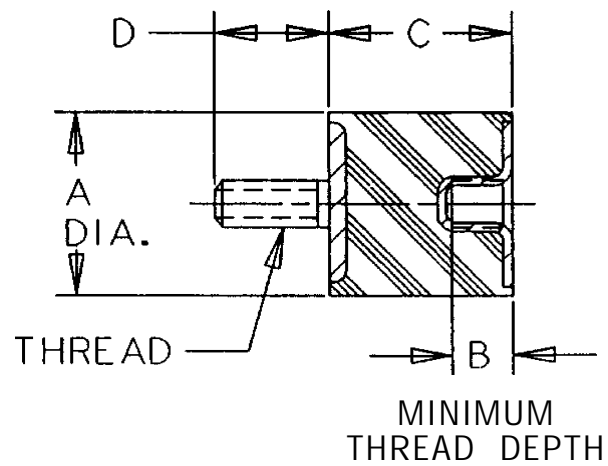
Part Dimension— Type 1

Figure 1



Part Dimension— Type 2

Figure 2



Flex-Bolt® Sandwich Mounts

Medium Sandwich Mounts

Specifications and Dimensions: Table 1.

Part Number	Type	Elastomer ●	Shear				Compression				Part Dimensions			
			Maximum Static Load		Spring Rate K _S		Maximum Static Load		Spring Rate K _C		A		B	
			lbs	N	lbs/in	N/mm	lbs	N	lbs/in	N/mm	in	m m	in	m m
J-3424-143	4	NR	23	102	115	20	130	578	650	114	2.0	50.8	.40	10.2
J-3424-49	4	NR	30	133	75	13	184	818	455	80	2.0	50.8	.40	10.2
J-3424-8	4	NR	36	160	110	19	208	925	635	111	2.0	50.8	.40	10.2
J-3424-5	4	OR	38	169	165	29	205	912	900	158	2.0	50.8	.40	10.2
J-3424-30	4	NR	49	218	320	56	259	1152	1685	295	2.0	50.8	.40	10.2
J-3424-6	4	NR	57	253	250	44	274	1219	1200	210	2.0	50.8	.40	10.2
J-3424-2	4	OR	66	293	290	51	278	1237	1220	214	2.0	50.8	.40	10.2
J-3424-80	4	NR	91	405	400	70	382	1699	1675	293	2.0	50.8	.40	10.2
J-3424-3	4	OR	81	360	355	62	417	1855	1830	320	2.0	50.8	.40	10.2
J-3424-21	4	OR	120	534	525	92	549	2442	2410	422	2.0	50.8	.40	10.2
J-3424-147	5	NR	—	—	—	—	551	2451	5400	946	2.0	50.8	.40	10.2
J-5294-21	6	OR	130	578	375	66	1050	4671	2400	420	2.81	71.4	4.78	121.4
J-5294-2	6	OR	190	845	665	116	1500	6672	3675	643	2.81	71.4	4.78	121.4
J-5425-15	1	NR	92	409	220	39	600	2669	1250	219	3.12	79.2	1.25	31.8
J-5425-275	4	NR	110	489	260	46	720	3203	1400	245	3.12	79.2	.53	13.5
J-5425-1	1	NR	157	698	455	80	1020	4537	2165	379	3.12	79.2	1.25	31.8
J-5425-123	4	NR	165	732	750	133	1670	7428	4125	722	3.12	79.2	.53	13.5
J-5425-276	1	NR	221	933	850	149	1670	7428	3525	617	3.12	79.2	1.25	31.58
J-5425-27	2	NR	236	1050	650	114	1540	6850	2750	482	3.12	79.2	.53	13.5
J-5425-6	1	NR	175	777	800	142	2040	9074	4000	700	3.12	79.2	1.25	31.8
J-5425-169	3	NR	—	—	—	—	1100	4893	2680	469	3.12	79.2	—	—

- NR = Natural Rubber
- OR = Oil Resistant Elastomer - Neoprene

Medium Sandwich Mounts

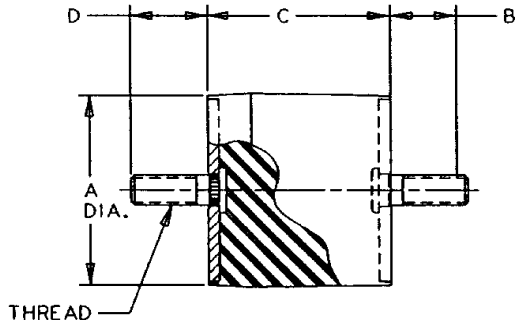
Specifications and Dimensions: Table 2.

Part Number	Part Dimensions												Recommended Bolt Information*	
	C		D		E		F		G		H		Thread Size	Grade per SAE J429
	in	m m	in	m m	in	m m	in	m m	in	m m	in	m m		
J-3424-143	2.12	53.8	.40	10.2	—	—	—	—	—	—	—	—	1/2 - 13	2
J-3424-49	3.00	76.2	.40	10.2	—	—	—	—	—	—	—	—	1/2 - 13	2
J-3424-8	2.62	66.5	.40	10.2	—	—	—	—	—	—	—	—	1/2 - 13	2
J-3424-5	2.12	53.8	.40	10.2	—	—	—	—	—	—	—	—	1/2 - 13	2
J-3424-30	1.75	44.5	.40	10.2	—	—	—	—	—	—	—	—	1/2 - 13	2
J-3424-6	2.12	53.8	.40	10.2	—	—	—	—	—	—	—	—	1/2 - 13	2
J-3424-2	2.12	53.8	.40	10.2	—	—	—	—	—	—	—	—	1/2 - 13	2
J-3424-80	2.12	53.8	.40	10.2	—	—	—	—	—	—	—	—	1/2 - 13	2
J-3424-3	2.12	53.8	.40	10.2	—	—	—	—	—	—	—	—	1/2 - 13	2
J-3424-21	2.12	53.8	.40	10.2	—	—	—	—	—	—	—	—	1/2 - 13	2
J-3424-147	1.00	25.4	.40	10.2	—	—	—	—	—	—	—	—	1/2 - 13	2
J-5294-21	2.56	65.0	3.0	76.2	1.75	44.5	2.25	57.2	3.88	98.6	.81	20.6	5/16 - 18	2
J-5294-2	2.56	65.0	3.0	76.2	1.75	44.5	2.25	57.2	3.88	98.6	.81	20.6	5/16 - 18	2
J-5425-15	3.00	76.2	1.25	31.8	—	—	—	—	—	—	—	—	1/2 - 13	2
J-5425-275	3.00	76.2	.53	13.5	—	—	—	—	—	—	—	—	1/2 - 13	2
J-5425-1	3.00	76.2	1.25	31.8	—	—	—	—	—	—	—	—	1/2 - 13	2
J-5425-123	2.25	57.2	.53	13.5	—	—	—	—	—	—	—	—	1/2 - 20	2
J-5425-276	2.25	57.2	1.25	31.8	—	—	—	—	—	—	—	—	1/2 - 13	2
J-5425-27	3.00	76.2	1.25	38.1	—	—	—	—	—	—	—	—	1/2 - 20	2
J-5425-6	3.00	76.2	1.25	38.1	—	—	—	—	—	—	—	—	1/2 - 13	2
J-5425-169	2.50	63.5	.75	19.1	—	—	—	—	—	—	—	—	1/2 - 13	2

* For tightening torque information, see Pp.121 and 122.

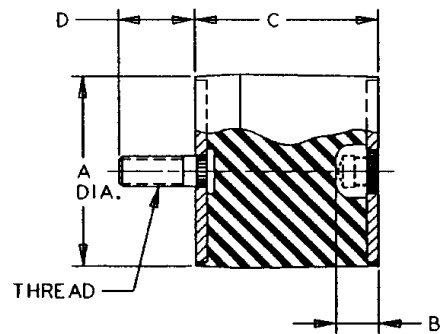
Part Dimension— Type 1

Figure 1



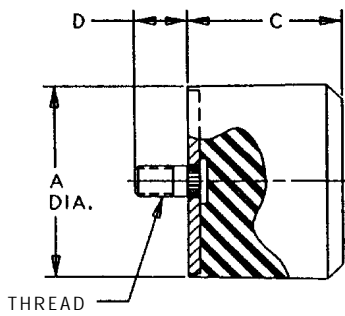
Part Dimension— Type 2

Figure 2



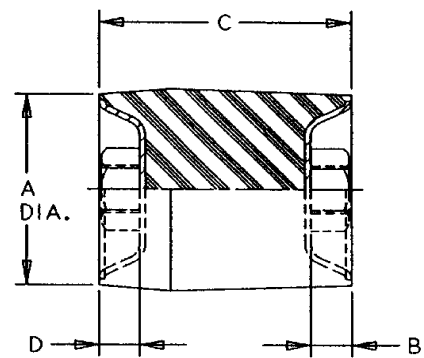
Part Dimension— Type 3

Figure 3



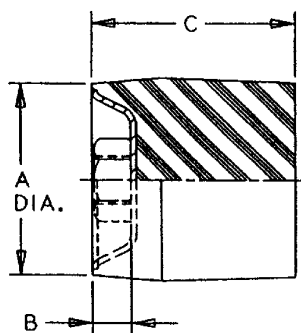
Part Dimension— Type 4

Figure 4



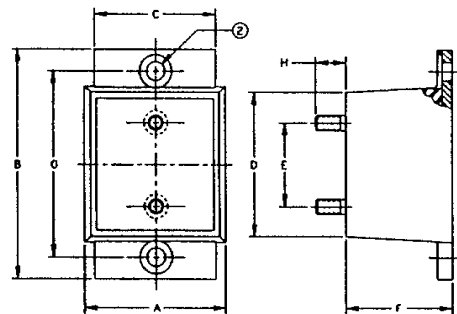
Part Dimension— Type 5

Figure 5



Part Dimension— Type 6

Figure 6



⊙ DIA. .3871,24" (9.716.1 mm.)

Flex-Bolt® Sandwich Mounts

Large Sandwich Mounts

Specifications and Dimensions: Table 1.

Part Number	Type	Elastomer ●	Shear				Compression				Part Dimensions			
			Maximum Static Load		Spring Rate K _S		Maximum Static Load		Spring Rate K _C		A		B	
			lbs	N	lbs/in	N/mm	lbs	N	lbs/in	N/mm	in	m m	in	m m
J-5735-2	3	NR	245	1090	440	77	1575	7006	2000	350	4.83	122.7	4.83	122.7
J-5682-22	1	NR	160	712	550	98	1650	7340	4285	750	4.00	101.6	1.25	31.8
J-5682-1	1	OR	225	1000	900	160	2700	12,010	6900	1208	4.00	101.6	1.25	31.8
J-5682-32	2	NR	—	—	—	—	2260	10,050	11,800	2065	3.96	100.6	—	—
J-5130-55	4	NR	450	2002	1800	315	3400	15,124	15,000	2627	4.75	120.7	4.75	120.7
J-5130-1	4	OR	550	2447	2000	350	4130	18,371	17,300	3030	4.75	120.7	4.75	120.7
SMA070-0600-3	5	NR	600	2669	1450	254	4900	21,746	9400	1646	7.12	180.8	7.12	180.8
J-14056-4	5	NR	770	3425	850	149	3670	16,325	5100	893	7.12	180.8	7.12	180.8
SMA090-0900-1	5	NR	900	4003	1675	293	7600	33,806	10,500	1839	9.00	228.6	9.00	228.6
SMA095-1200-3	5	NR	1200	5338	970	170	5800	25,800	5800	1016	9.44	239.8	9.44	239.8
J-6332-121	6	SP	1360	6050	4800	846	12,240	54,446	42,800	7494	7.14	181.4	9.00	228.6
J-6332-2	6	OR	1680	7473	4200	735	13,440	59,784	40,500	7092	7.14	181.4	9.00	228.6
J-6332-183	7	OR	1680	7473	4200	735	13,440	59,606	42,100	7372	7.14	181.4	9.00	228.6

- NR = Natural Rubber
- OR = Oil Resistant Elastomer - Neoprene
- SP = SPE® -1 Low Temperature Elastomer

Large Sandwich Mounts

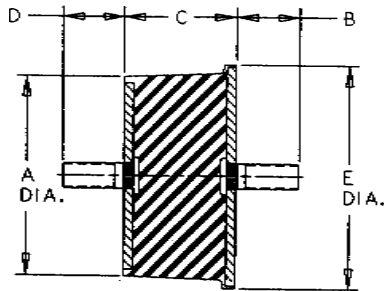
Specifications and Dimensions: Table 2.

Part Number	Part Dimensions																Recommended Bolt Information*			
	C		D		E		F		G		H		I		J				Flange Thickness	
	in	m m	in	m m	in	m m	in	m m	in	m m	in	m m	in	m m	in	m m	in	m m		Thread Size
J-5735-2	3.75	95.3	4.03	102.4	4.38	111.3	.38	9.7	1.0	25.4	—	—	—	—	—	—	.24	6.1	1/2 - 13	2
J-5682-22	2.25	57.2	1.25	31.8	4.48	113.8	—	—	—	—	—	—	—	—	—	—	—	—	1/2 - 20	2
J-5682-1	2.25	57.2	1.25	31.8	4.48	113.8	—	—	—	—	—	—	—	—	—	—	—	—	1/2 - 20	2
J-5682-32	1.50	38.1	1.25	31.8	4.48	113.8	—	—	—	—	—	—	—	—	—	—	—	—	1/2 - 13	2
J-5130-55	2.62	66.5	2.12	53.8	5.12	130.0	.53	13.5	—	—	—	—	—	—	—	—	—	—	1/2 - 20	2
J-5130-1	2.62	66.5	2.12	53.8	5.12	130.0	.53	13.5	—	—	—	—	—	—	—	—	—	—	1/2 - 20	2
SMA070-0600-3	5.75	146.1	5.75	146.1	.51	12.9	3.00	76.2	5.30	134.6	—	—	—	—	—	—	.19	4.8	—	2
J-14056-4	5.75	146.1	5.75	146.1	.51	12.9	4.00	101.6	5.50	139.7	—	—	—	—	—	—	.19	4.8	—	2
SMA090-0900-1	7.50	190.5	7.50	190.5	.51	12.9	4.00	101.6	6.50	165.1	—	—	—	—	—	—	.19	4.8	—	2
SMA095-1200-3	7.50	190.5	7.50	190.5	.76	19.3	5.50	139.7	7.40	188.88	—	—	—	—	—	—	.25	6.4	—	2
J-6332-121	7.12	180.8	4.00	101.6	5.50	139.7	3.88	98.6	2.25	57.2	2.50	63.5	1.00	25.4	.53	13.5	—	—	1/2 - 20	2
J-6332-2	7.12	180.8	4.00	101.6	5.50	139.7	3.88	98.6	2.25	57.2	2.50	63.5	1.00	25.4	.53	13.5	—	—	1/2 - 20	2
J-6332-183	7.12	180.8	4.00	101.6	5.50	139.7	3.88	98.6	2.25	57.2	2.50	63.5	.53	13.5	—	—	—	—	1/2 - 20	2

* For tightening torque information, see Pp.121 and 122.

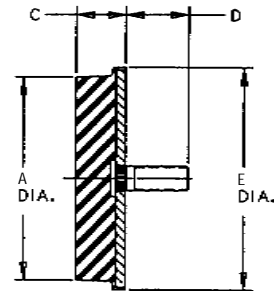
Part Dimension— Type 1

Figure 1



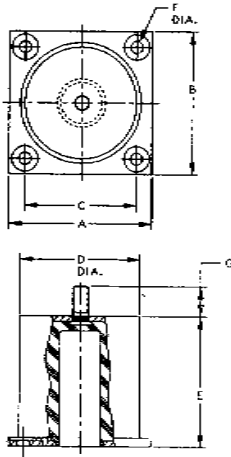
Part Dimension— Type 2

Figure 2



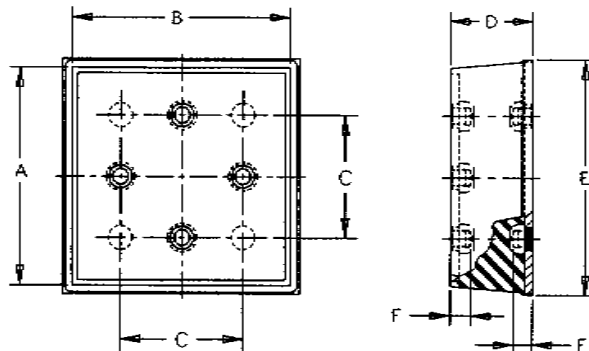
Part Dimension— Type 3

Figure 3



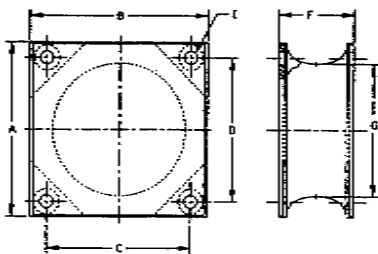
Part Dimension— Type 4

Figure 4



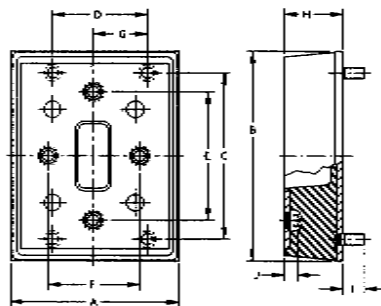
Part Dimension— Type 5

Figure 5



Part Dimension— Type 6

Figure 6



Part Dimension— Type 7

Figure 7

