

Hystec™ Mounts



Hystec™ mounts combine surface-effect damping principles with traditional rubber-bonded-to-metal technology. The result is a soft mount capable of providing effective damping over large deflections and a wide range of frequencies. As cab and engine mounts in on- and off-highway vehicles, Hystec mounts meet the most demanding requirements for vibration isolation and noise attenuation while controlling motion.

The systems feature a surface-effect damper pack containing an elastomer that comes in contact with a sliding surface, producing both hysteretic and friction damping. When conventional mounts are unable to satisfy vehicle requirements, Hystec mounts can successfully control noise and vibration for improved ride comfort and enhanced product performance and maintainability.

Features and Benefits:

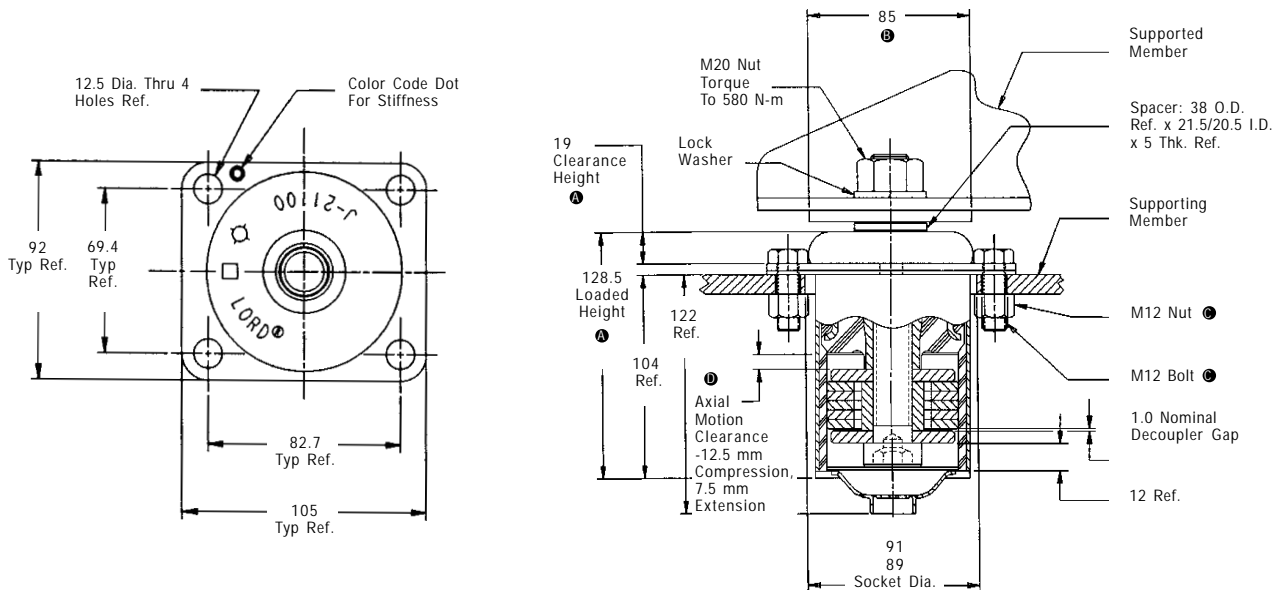
- A smoothly damped response at low and medium frequencies with isolation at high frequencies. Natural frequency is 6 Hz at rated load.
- Amplitude sensitive, responding to larger motions with greater damping forces.
- Speed mount optimization and vehicle development by allowing easy in-the-field adjustment of damping and small displacement decoupling.
- Accommodate a wide range of rated loads.
- Withstand R.O.P.S. loads with the addition of support rings. Further non-standard support rings for special applications are available.
- Offer optimal tuning through the modular spring/damper assembly for ride comfort and motion control.
- Exhibit long, highly reliable service life.

The on-site adjustable damping and decoupling capabilities of the mounts offer unique advantages in terms of reducing development/testing time and minimizing the cost of systems optimization. Adding or removing damping disks within a mount's surface-effect pack changes the contact area and amount of damping for adjustment of prototype mounts.

Hystec mounts are simple in construction, and the absence of pressure seals and fluids eliminates the possibility of leaks common with hydraulic mounts. In accelerated durability tests, these mounts have successfully passed more than 11 million cycles (the equivalent of 3 million kilometers or 2 million miles of Class 8 truck cab service) without significant wear.

Hystec™ Mounts

Part Number	Color Code	Rated Axial Static Load		Rated Axial Static Deflection		Axial Static Stiffness		Radial Static Stiffness		Recommended Bolt Information			
										Size		Grade or Class	
		lbs	N	in	mm	lb/in	N/mm	lb/in	N/mm	English	Metric	SAE J429	SAE J1199
SE-1100-5	White	470	2092	0.30	7.5	1200	210	4570	800	3/4	M20	8	10.9
SE-1100-1	Green	700	3115	0.30	7.5	1770	310	6850	1200	3/4	M20	8	10.9
SE-1100-3	Red	920	4094	0.30	7.5	2285	400	9140	1600	3/4	M20	8	10.9
SE-1100-4	Yellow	1140	5073	0.30	7.5	2860	500	11420	2000	3/4	M20	8	10.9
SE-1100-6	Blue	1340	5963	0.30	7.5	3370	590	13700	2400	3/4	M20	8	10.9
SE-1100-7	Orange	1570	6984	0.30	7.5	3950	690	16000	2800	3/4	M20	8	10.9



TYPICAL INSTALLATION
Shown Under Static Load (E)

- (A) Rated Static Load Ref.
- (B) Diameter Recommended Flat Area For Mount Snubbing Ref.
- (C) 4 Required; Customer Furnished
- (D) At Static Load Position Ref.
- (E) Recommended Static Deflection When Used With Snubbing Washers And 5mm Thk. Ref. Spacer As Shown Is 7.5 mm (.30 in.) Nominal At Rated Load.