

100PHL-6 Platform Mounts Holder

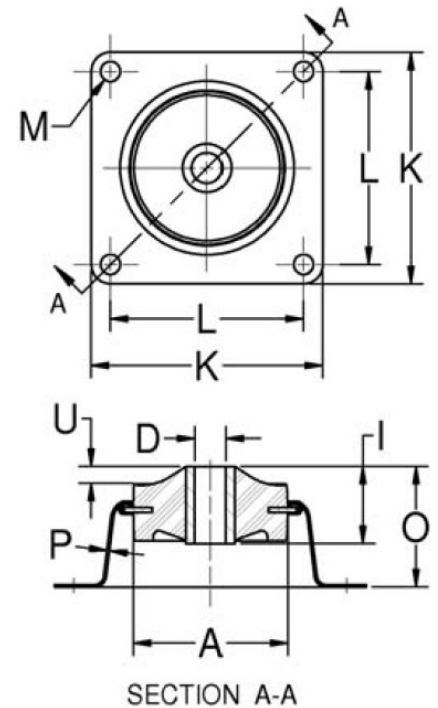


Item # 100PHL-6 Platform Mounts Holder

Manufacturer: Parker Lord Corporation

Specifications

| | |
|-----------------------------------|--------|
| A (in) | 1 |
| Axial Static Spring Rate (lbs/in) | 96 |
| Axial Static Spring Rate (Metric) | 16.8 |
| B (in) | 1.25 |
| C (in) | 1 |
| D (in) | 0.166 |
| E (in) | 0.141 |
| Enclosure Shape | Holder |
| F (in) | 0.032 |
| F (mm) | 0.8 |
| G (in) | 0.3 |
| G (mm) | 7.6 |
| I (in) | 0.41 |



Lord Platform Mounts provide effective isolation against vibration. The contour of the flexing element was developed to provide uniform stress



[Request for Quote](#)

[Contact Us](#)

USA
4392 Broadway
Depew, NY 14043

Canada
2290 Industrial Street
Burlington, Ontario
L7P 1A1

888.842.5668

905.335.5523

info@rpmrubberparts.com



variety of design requirements. The three types, Plateform Mounts, Heavy-Duty Plateform Mounts and Multiplane Mounts, offer a range in load ratings from 0.5 to 600 pounds. Snubbing washers provide an interlocking system of metal parts which act to prevent damage from overload or excessive shock impact. Lord Plateform Mounts are easy to install and provide space efficiency. Typical applications include electronic equipment, business machines, medical equipment and small pumps, engines and gen sets.



[Request for Quote](#)

[Contact Us](#)

 **USA**
4392 Broadway
Depew, NY 14043

 **Canada**
2290 Industrial Street
Burlington, Ontario
L7P 1A1

 888.842.5668

 905.335.5523

 info@rpmrubberparts.com



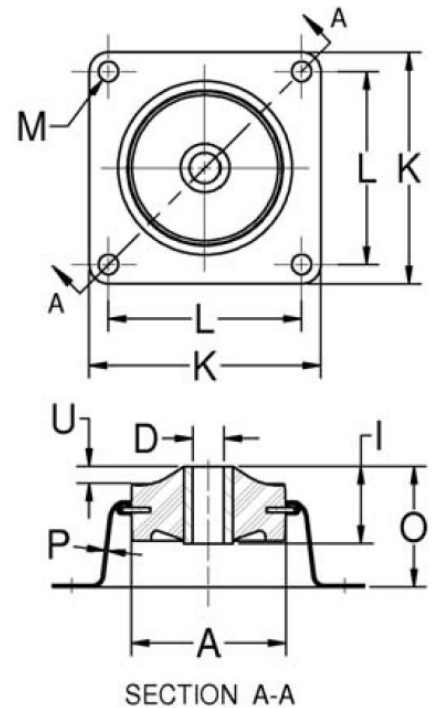
100PHL-6 Platform Mounts Holder



Item # 100PHL-6 Platform Mounts Holder
 Manufacturer: Parker Lord Corporation

Specifications (Continued)

| | |
|---|-------------|
| I (mm) | 10.4 |
| Inside Diameter (in) | 0.17 |
| K (in) | 1.375 |
| K (mm) | 42.9 |
| M (in) | 0.141 |
| M (mm) | 3.6 |
| Manufacturer | Parker LORD |
| Material | Aluminum |
| Max Axial Load Rating (lbs) | 6 |
| Max Axial Load Rating (Metric) | 27 |
| Max Axial Rated Load at 1/16 in (1.58 mm) Deflection (lbs) | 6 |
| Max Axial Rated Load at 1/16 in (1.58 mm) Deflection (Metric) | 27 |
| O (in) | 0.78 |



Lord Platform Mounts provide effective isolation against vibration. The contour of the flexing element was developed to provide uniform stress



[Request for Quote](#)

[Contact Us](#)

USA
 4392 Broadway
 Depew, NY 14043

Canada
 2290 Industrial Street
 Burlington, Ontario
 L7P 1A1

888.842.5668
 905.335.5523
info@rpmrubberparts.com



variety of design requirements. The three types, Plateform Mounts, Heavy-Duty Plateform Mounts and Multiplane Mounts, offer a range in load ratings from 0.5 to 600 pounds. Snubbing washers provide an interlocking system of metal parts which act to prevent damage from overload or excessive shock impact. Lord Plateform Mounts are easy to install and provide space efficiency. Typical applications include electronic equipment, business machines, medical equipment and small pumps, engines and gen sets.



[Request for Quote](#)


[Contact Us](#)

 **USA**
4392 Broadway
Depew, NY 14043

 **Canada**
2290 Industrial Street
Burlington, Ontario
L7P 1A1

 888.842.5668

 905.335.5523

 info@rpmrubberparts.com



100PHL-6 Platform Mounts Holder

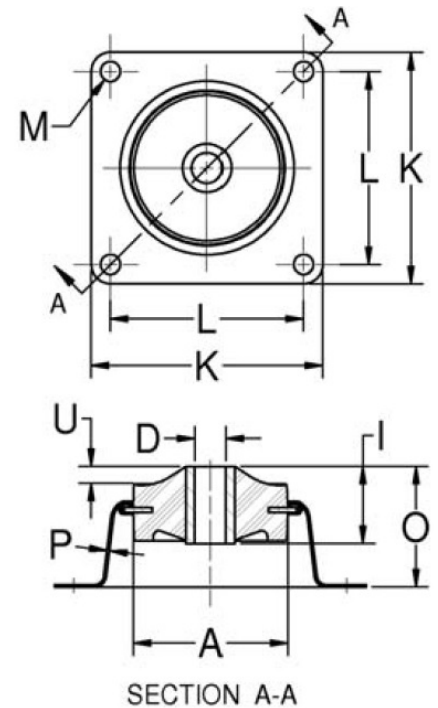


Item # 100PHL-6 Platform Mounts Holder

Manufacturer: Parker Lord Corporation

Specifications (Continued)

| | |
|--------------------------|----------|
| O (mm) | 19.8 |
| Outside Diameter (in) | 0.88 |
| Outside Diameter (mm) | 22.4 |
| P (in) | 0.025 |
| P (mm) | 0.6 |
| Q (in) | 1.414 |
| Q (mm) | 35.9 |
| R (in) | 0.62 |
| R (mm) | 15.7 |
| Recommended Steel Washer | J-2049-1 |
| S (in) | 1.66 |
| S (mm) | 42.2 |
| Series | 100 |



Lord Platform Mounts provide effective isolation against vibration. The contour of the flexing element was developed to provide uniform stress



[Request for Quote](#)

[Contact Us](#)

USA
4392 Broadway
Depew, NY 14043

Canada
2290 Industrial Street
Burlington, Ontario
L7P 1A1

888.842.5668

905.335.5523

info@rpmrubberparts.com

variety of design requirements. The three types, Plateform Mounts, Heavy-Duty Plateform Mounts and Multiplane Mounts, offer a range in load ratings from 0.5 to 600 pounds. Snubbing washers provide an interlocking system of metal parts which act to prevent damage from overload or excessive shock impact. Lord Plateform Mounts are easy to install and provide space efficiency. Typical applications include electronic equipment, business machines, medical equipment and small pumps, engines and gen sets.



[Request for Quote](#)


[Contact Us](#)

 **USA**
4392 Broadway
Depew, NY 14043

 **Canada**
2290 Industrial Street
Burlington, Ontario
L7P 1A1

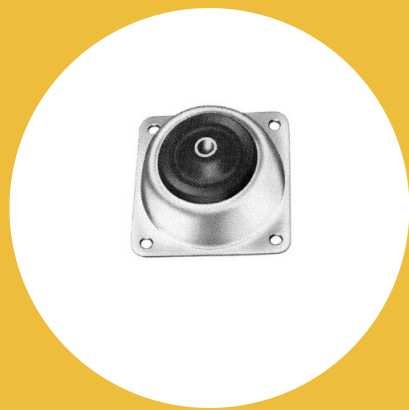
 888.842.5668

 905.335.5523

 info@rpmrubberparts.com



100PHL-6 Platform Mounts Holder

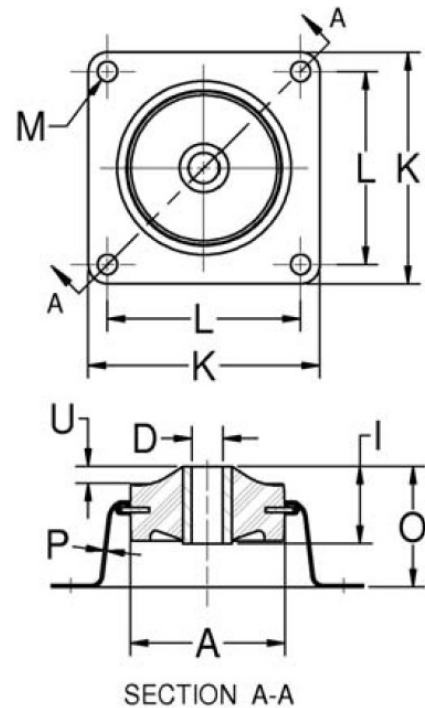


Item # 100PHL-6 Platform Mounts Holder

Manufacturer: Parker Lord Corporation

Specifications (Continued)

| | |
|--------------------|------|
| Thickness (in) | 0.03 |
| Thickness (Metric) | 0.8 |
| U (in) | 0.15 |
| U (mm) | 3.8 |



Lord Platform Mounts provide effective isolation against vibration. The contour of the flexing element was developed to provide uniform stress



[Request for Quote](#)

[Contact Us](#)

USA
4392 Broadway
Depew, NY 14043

Canada
2290 Industrial Street
Burlington, Ontario
L7P 1A1

888.842.5668

905.335.5523

info@rpmrubberparts.com



variety of design requirements. The three types, Plateform Mounts, Heavy-Duty Plateform Mounts and Multiplane Mounts, offer a range in load ratings from 0.5 to 600 pounds. Snubbing washers provide an interlocking system of metal parts which act to prevent damage from overload or excessive shock impact. Lord Plateform Mounts are easy to install and provide space efficiency. Typical applications include electronic equipment, business machines, medical equipment and small pumps, engines and gen sets.



[Request for Quote](#)

[Contact Us](#)

 **USA**
4392 Broadway
Depew, NY 14043

 **Canada**
2290 Industrial Street
Burlington, Ontario
L7P 1A1

 888.842.5668

 905.335.5523

 info@rpmrubberparts.com

