

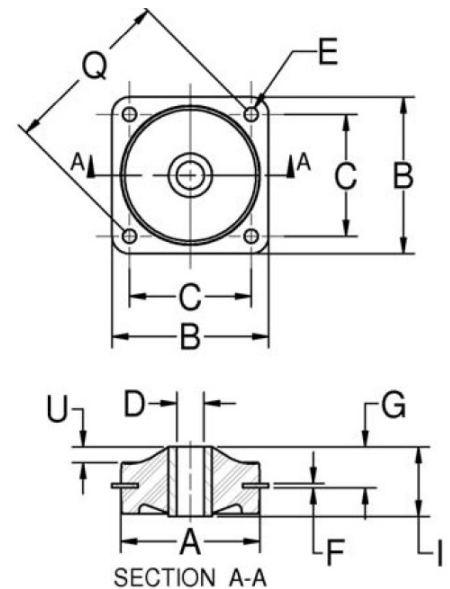
# 150P-6 Platform Mounts Square



**Item #** 150P-6 Platform Mounts Square  
**Manufacturer:** Parker Lord Corporation

## Specifications

|                                   |          |
|-----------------------------------|----------|
| A (in)                            | 1.5      |
| Applicable Steel Washer           | J-2049-2 |
| Axial Static Spring Rate (lbs/in) | 96       |
| Axial Static Spring Rate (Metric) | 16.8     |
| B (in)                            | 1.75     |
| C (in)                            | 1.375    |
| D (in)                            | 0.257    |
| E (in)                            | 0.166    |
| Enclosure Shape                   | Square   |
| F (in)                            | 0.05     |
| F (mm)                            | 1.3      |
| G (in)                            | 0.4      |
| G (mm)                            | 10.2     |



Lord Platform Mounts provide effective isolation against vibration. The contour of the flexing element was developed to provide uniform stress distribution. This, plus high strength bonding and the use of specially compounded


[Request for Quote](#)
[Contact Us](#)

**USA**  
 4392 Broadway  
 Depew, NY 14043

**Canada**  
 2290 Industrial Street  
 Burlington, Ontario  
 L7P 1A1

☎ 888.842.5668

☎ 905.335.5523

✉ info@rpmrubberparts.com



Mounts and Multiplane Mounts, offer a range in load ratings from 0.5 to 600 pounds. Snubbing washers provide an interlocking system of metal parts which act to prevent damage from overload or excessive shock impact. Lord Plateform Mounts are easy to install and provide space efficiency. Typical applications include electronic equipment, business machines, medical equipment and small pumps, engines and gen sets.



[Request for Quote](#)


[Contact Us](#)

 **USA**  
4392 Broadway  
Depew, NY 14043

 **Canada**  
2290 Industrial Street  
Burlington, Ontario  
L7P 1A1

 888.842.5668

 905.335.5523

 [info@rpmrubberparts.com](mailto:info@rpmrubberparts.com)



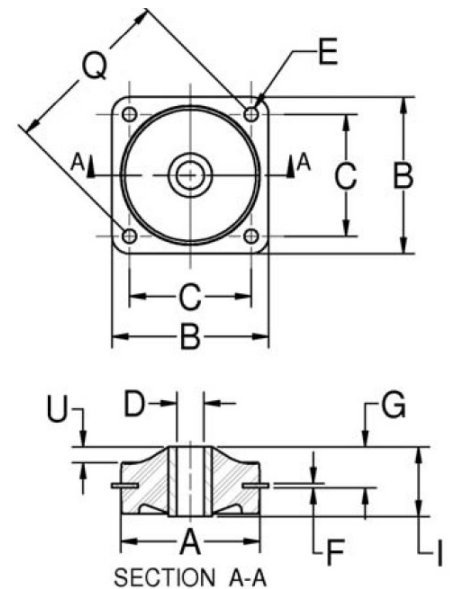
# 150P-6 Platform Mounts Square



Item # 150P-6 Platform Mounts Square  
 Manufacturer: Parker Lord Corporation

## Specifications (Continued)

|   |             |
|---|-------------|
| I (in)  | 0.62        |
| I (mm)  | 15.7        |
| Inside Diameter (in)  | 0.26        |
| K (in)  | 2.38        |
| K (mm)  | 60.5        |
| M (in)  | 0.196       |
| M (mm)  | 5           |
| Manufacturer  | Parker LORD |
| Material  | Steel       |
| Max Axial Load Rating (lbs)                                   | 6           |
| Max Axial Load Rating (Metric)                                | 27          |
| Max Axial Rated Load at 1/16 in (1.58 mm) Deflection (lbs)    | 6           |
| Max Axial Rated Load at 1/16 in (1.58 mm) Deflection (Metric) | 27          |



Lord Platform Mounts provide effective isolation against vibration. The contour of the flexing element was developed to provide uniform stress distribution. This, plus high strength bonding and the use of specially compounded


[Request for Quote](#)
[Contact Us](#)

**USA**  
 4392 Broadway  
 Depew, NY 14043

**Canada**  
 2290 Industrial Street  
 Burlington, Ontario  
 L7P 1A1

☎ 888.842.5668

☎ 905.335.5523

✉ info@rpmrubberparts.com



Mounts and Multiplane Mounts, offer a range in load ratings from 0.5 to 600 pounds. Snubbing washers provide an interlocking system of metal parts which act to prevent damage from overload or excessive shock impact. Lord Plateform Mounts are easy to install and provide space efficiency. Typical applications include electronic equipment, business machines, medical equipment and small pumps, engines and gen sets.



[Request for Quote](#)


[Contact Us](#)

 **USA**  
4392 Broadway  
Depew, NY 14043

 **Canada**  
2290 Industrial Street  
Burlington, Ontario  
L7P 1A1

 888.842.5668

 905.335.5523

 [info@rpmrubberparts.com](mailto:info@rpmrubberparts.com)



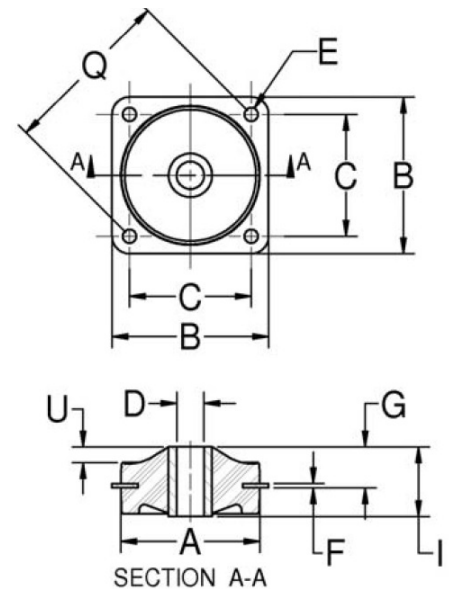
# 150P-6 Platform Mounts Square



Item # 150P-6 Platform Mounts Square  
 Manufacturer: Parker Lord Corporation

## Specifications (Continued)

|                       |       |
|-----------------------|-------|
| O (in)                | 1.12  |
| O (mm)                | 28.4  |
| Outside Diameter (in) | 1.38  |
| Outside Diameter (mm) | 35.1  |
| P (in)                | 0.032 |
| P (mm)                | 0.8   |
| Q (in)                | 1.945 |
| Q (mm)                | 49.4  |
| R (in)                | 0.88  |
| R (mm)                | 22.4  |
| S (in)                | 2.32  |
| S (mm)                | 58.9  |
| Series                | 150   |



Lord Platform Mounts provide effective isolation against vibration. The contour of the flexing element was developed to provide uniform stress distribution. This, plus high strength bonding and the use of specially compounded


[Request for Quote](#)
[Contact Us](#)

**USA**  
 4392 Broadway  
 Depew, NY 14043

**Canada**  
 2290 Industrial Street  
 Burlington, Ontario  
 L7P 1A1

☎ 888.842.5668

☎ 905.335.5523

✉ info@rpmrubberparts.com



Mounts and Multiplane Mounts, offer a range in load ratings from 0.5 to 600 pounds. Snubbing washers provide an interlocking system of metal parts which act to prevent damage from overload or excessive shock impact. Lord Plateform Mounts are easy to install and provide space efficiency. Typical applications include electronic equipment, business machines, medical equipment and small pumps, engines and gen sets.



[Request for Quote](#)


[Contact Us](#)

 **USA**  
4392 Broadway  
Depew, NY 14043

 **Canada**  
2290 Industrial Street  
Burlington, Ontario  
L7P 1A1

 888.842.5668

 905.335.5523

 [info@rpmrubberparts.com](mailto:info@rpmrubberparts.com)



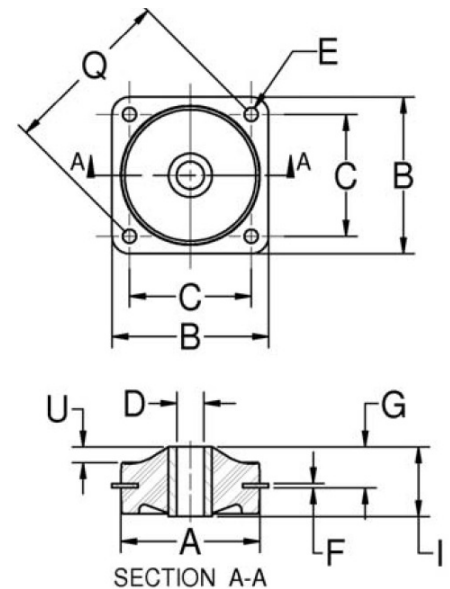
# 150P-6 Platform Mounts Square



Item # 150P-6 Platform Mounts Square  
 Manufacturer: Parker Lord Corporation

## Specifications (Continued)

|                    |      |
|--------------------|------|
| Thickness (in)     | 0.05 |
| Thickness (Metric) | 1.3  |
| U (in)             | 0.18 |
| U (mm)             | 4.6  |



Lord Platform Mounts provide effective isolation against vibration. The contour of the flexing element was developed to provide uniform stress distribution. This, plus high strength bonding and the use of specially compounded



[Request for Quote](#)

[Contact Us](#)

**USA**  
 4392 Broadway  
 Depew, NY 14043

**Canada**  
 2290 Industrial Street  
 Burlington, Ontario  
 L7P 1A1

☎ 888.842.5668

☎ 905.335.5523

✉ info@rpmrubberparts.com




Mounts and Multiplane Mounts, offer a range in load ratings from 0.5 to 600 pounds. Snubbing washers provide an interlocking system of metal parts which act to prevent damage from overload or excessive shock impact. Lord Plateform Mounts are easy to install and provide space efficiency. Typical applications include electronic equipment, business machines, medical equipment and small pumps, engines and gen sets.



[Request for Quote](#)


[Contact Us](#)

 **USA**  
4392 Broadway  
Depew, NY 14043

 **Canada**  
2290 Industrial Street  
Burlington, Ontario  
L7P 1A1

 888.842.5668

 905.335.5523

 [info@rpmrubberparts.com](mailto:info@rpmrubberparts.com)

