

# 283P-280 Heavy-Duty Platform Mounts Square

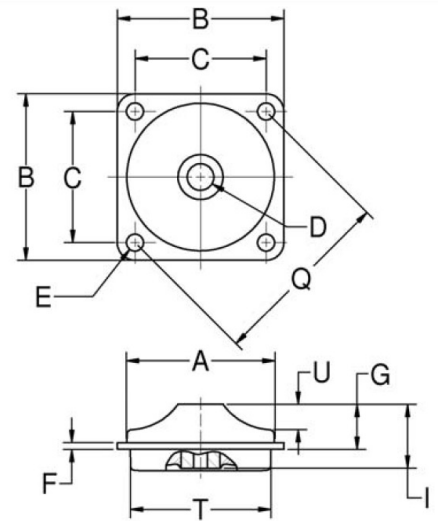


Item # 283P-280 Heavy-Duty Platform Mounts Square

Manufacturer: Parker Lord Corporation

## Specifications

A (in)	2.88
Axial Static Spring Rate (lbs/in)	1120
Axial Static Spring Rate (Metric)	196.1
B (in)	3.25
C (in)	2.562
D (in)	0.516
E (in)	0.328
Enclosure Shape	Square
F (in)	0.125
F (mm)	3.2
G (in)	1.38
G (mm)	35.1
I (in)	2.25



Lord Platform Mounts provide effective isolation against vibration. The contour of the flexing element was developed to provide uniform stress distribution. This, plus high strength bonding and the use of specially compounded elastomers, provides maximum service life. These


[Request for Quote](#)
[Contact Us](#)

**USA**  
4392 Broadway  
Depew, NY 14043

**Canada**  
2290 Industrial Street  
Burlington, Ontario  
L7P 1A1

☎ 888.842.5668

☎ 905.335.5523

✉ info@rpmrubberparts.com



ratings from 0.5 to 600 pounds. Snubbing washers provide an interlocking system of metal parts which act to prevent damage from overload or excessive shock impact. Lord Plateform Mounts are easy to install and provide space efficiency. Typical applications include electronic equipment, business machines, medical equipment and small pumps, engines and gen sets.



[Request for Quote](#)


[Contact Us](#)

 **USA**  
4392 Broadway  
Depew, NY 14043

 **Canada**  
2290 Industrial Street  
Burlington, Ontario  
L7P 1A1

 888.842.5668

 905.335.5523

 [info@rpmrubberparts.com](mailto:info@rpmrubberparts.com)



# 283P-280 Heavy-Duty Platform Mounts Square

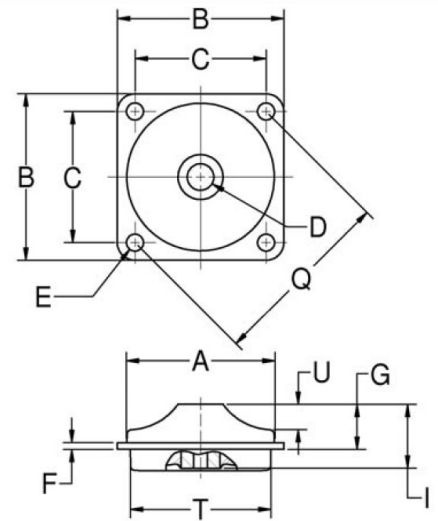


Item # 283P-280 Heavy-Duty Platform Mounts Square

Manufacturer: Parker Lord Corporation

## Specifications (Continued)

I (mm)	57.2
Inside Diameter (in)	0.52
K (in)	6.5
K (mm)	165.1
Manufacturer	Parker LORD
Material	Steel
Max Axial Load Rating (lbs)	280
Max Axial Load Rating (Metric)	1245
Max Axial Rated Load at 1/16 in (1.58 mm) Deflection (lbs)	280
Max Axial Rated Load at 1/16 in (1.58 mm) Deflection (Metric)	1245
O (in)	3.62
O (mm)	91.9
Outside Diameter (in)	2.88



Lord Platform Mounts provide effective isolation against vibration. The contour of the flexing element was developed to provide uniform stress distribution. This, plus high strength bonding and the use of specially compounded elastomers, provides maximum service life. These



[Request for Quote](#)

[Contact Us](#)

**USA**  
4392 Broadway  
Depew, NY 14043

**Canada**  
2290 Industrial Street  
Burlington, Ontario  
L7P 1A1

888.842.5668

905.335.5523

[info@rpmrubberparts.com](mailto:info@rpmrubberparts.com)



ratings from 0.5 to 600 pounds. Snubbing washers provide an interlocking system of metal parts which act to prevent damage from overload or excessive shock impact. Lord Plateform Mounts are easy to install and provide space efficiency. Typical applications include electronic equipment, business machines, medical equipment and small pumps, engines and gen sets.



[Request for Quote](#)


[Contact Us](#)

 **USA**  
4392 Broadway  
Depew, NY 14043

 **Canada**  
2290 Industrial Street  
Burlington, Ontario  
L7P 1A1

 888.842.5668

 905.335.5523

 [info@rpmrubberparts.com](mailto:info@rpmrubberparts.com)



# 283P-280 Heavy-Duty Platform Mounts Square

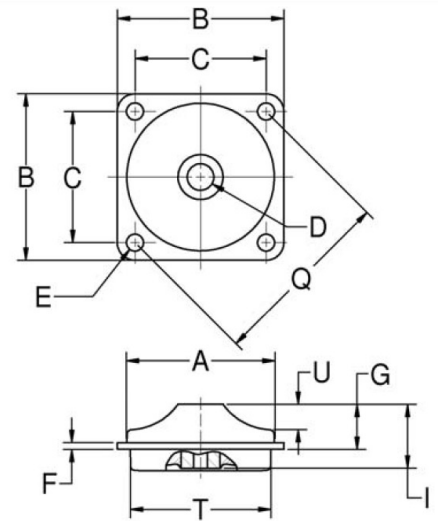


Item # 283P-280 Heavy-Duty Platform Mounts Square

Manufacturer: Parker Lord Corporation

## Specifications (Continued)

Outside Diameter (mm)	73.2
P (in)	0.22
P (mm)	5.63
Q (in)	0.62
Q (mm)	91.9
Recommended Steel Washer	J-2049-4
Series	283
T (in)	2.75
T (mm)	69.9
Thickness (in)	0.125
Thickness (Metric)	3.2
U (in)	0.5
U (mm)	12.7



Lord Platform Mounts provide effective isolation against vibration. The contour of the flexing element was developed to provide uniform stress distribution. This, plus high strength bonding and the use of specially compounded elastomers, provides maximum service life. These



[Request for Quote](#)

[Contact Us](#)

**USA**  
4392 Broadway  
Depew, NY 14043

**Canada**  
2290 Industrial Street  
Burlington, Ontario  
L7P 1A1

888.842.5668

905.335.5523

[info@rpmrubberparts.com](mailto:info@rpmrubberparts.com)

ratings from 0.5 to 600 pounds. Snubbing washers provide an interlocking system of metal parts which act to prevent damage from overload or excessive shock impact. Lord Plateform Mounts are easy to install and provide space efficiency. Typical applications include electronic equipment, business machines, medical equipment and small pumps, engines and gen sets.



[Request for Quote](#)


[Contact Us](#)

 **USA**  
4392 Broadway  
Depew, NY 14043

 **Canada**  
2290 Industrial Street  
Burlington, Ontario  
L7P 1A1

 888.842.5668

 905.335.5523

 [info@rpmrubberparts.com](mailto:info@rpmrubberparts.com)



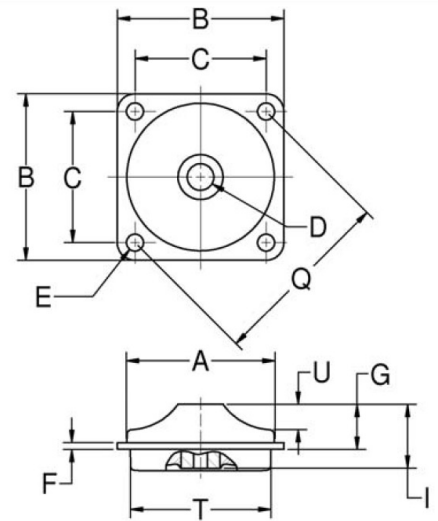
# 283P-280 Heavy-Duty Platform Mounts Square



Item # 283P-280 Heavy-Duty Platform Mounts Square  
 Manufacturer: Parker Lord Corporation

## Specifications (Continued)

VR (Imperial)	2.25
VR (Metric)	57.2



Lord Platform Mounts provide effective isolation against vibration. The contour of the flexing element was developed to provide uniform stress distribution. This, plus high strength bonding and the use of specially compounded elastomers, provides maximum service life. These



[Request for Quote](#)

[Contact Us](#)

**USA**  
 4392 Broadway  
 Depew, NY 14043

**Canada**  
 2290 Industrial Street  
 Burlington, Ontario  
 L7P 1A1

888.842.5668

905.335.5523

info@rpmrubberparts.com



ratings from 0.5 to 600 pounds. Snubbing washers provide an interlocking system of metal parts which act to prevent damage from overload or excessive shock impact. Lord Plateform Mounts are easy to install and provide space efficiency. Typical applications include electronic equipment, business machines, medical equipment and small pumps, engines and gen sets.



[Request for Quote](#)


[Contact Us](#)

 **USA**  
4392 Broadway  
Depew, NY 14043

 **Canada**  
2290 Industrial Street  
Burlington, Ontario  
L7P 1A1

 888.842.5668

 905.335.5523

 [info@rpmrubberparts.com](mailto:info@rpmrubberparts.com)

