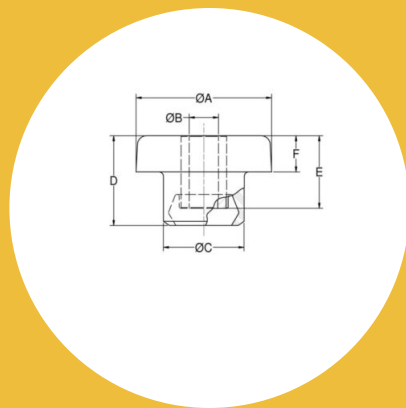


# CB-1124-13 Center Bonded Mounts Cb 1100 Series



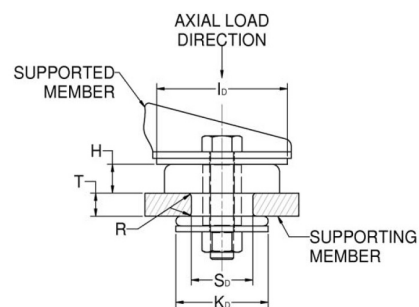
Item # CB-1124-13 Center Bonded Mounts Cb 1100 Series

Manufacturer: Parker Lord Corporation

## Specifications

A (in)	2.98
Application Engineering Assistance	Frequently vibration isolation problems require a system engineering analysis. Lord has the computer capability as well as specialized programs for analyzing engine/transmission combinations.
B (in)	0.648
C (in)	1.98
D (in)	2
E (in)	1.82
F (in)	0.81
ID (in)	0.64
ID (mm)	16.3
Manufacturer	Parker LORD
Max Axial Deflection (in)	0.085
Max Axial Deflection (Metric)	2.16

Installation View



- Center Bonded Mounts isolate vibration, control shock and reduce noise due to structure borne vibrations. Available in a full range of rated load capacities and able to withstand shock loads of 10 g's, these mounts effectively protect equipment and improve operator comfort. They are ideal for automotive, marine, railroad and industrial markets.

Center Bonded Mounts provide flexible suspension systems for mobile transport-



[Request for Quote](#)

[Contact Us](#)

**USA**  
4392 Broadway  
Depew, NY 14043

**Canada**  
2290 Industrial Street  
Burlington, Ontario  
L7P 1A1

888.842.5668

905.335.5523

info@rpmrubberparts.com



oil-resistant elastomer are available.



[Request for Quote](#)

[Contact Us](#)

 **USA**  
4392 Broadway  
Depew, NY 14043

 **Canada**  
2290 Industrial Street  
Burlington, Ontario  
L7P 1A1

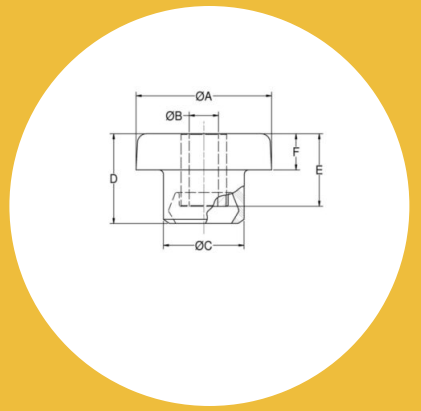
 888.842.5668

 905.335.5523

 [info@rpmrubberparts.com](mailto:info@rpmrubberparts.com)



# CB-1124-13 Center Bonded Mounts Cb 1100 Series

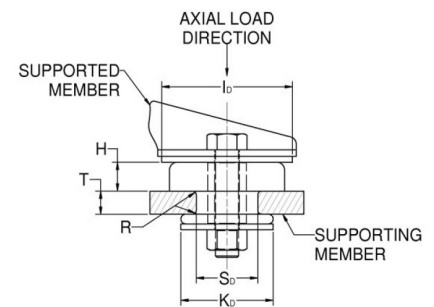


Item # CB-1124-13 Center Bonded Mounts Cb 1100 Series  
 Manufacturer: Parker Lord Corporation

## Specifications (Continued)

Max Axial Static Load at Deflection (Metric)	5560
Min Diameter ID (in)	3.5
Min Diameter (C) (Imperial)	88.9
Min Diameter KD (in)	2.5
Min Diameter KD (mm)	63.5
Nominal Dynamic Static Spring Rate Ratio	1.23
OD (E) (mm)	63.5
OD (in)	2.5
OD (mm)	63.5
R (in)	0.06
R (mm)	1.5
Recommended Bolt Grade or Class (SAE J1199)	10.9
Recommended Bolt Grade or Class (SAE J429)	8

Installation View



- Center Bonded Mounts isolate vibration, control shock and reduce noise due to structure borne vibrations. Available in a full range of rated load capacities and able to withstand shock loads of 10 g's, these mounts effectively protect equipment and improve operator comfort. They are ideal for automotive, marine, railroad and industrial markets.

Center Bonded Mounts provide flexible suspension systems for mobile transport-



Request for Quote

Contact Us

**USA**  
 4392 Broadway  
 Depew, NY 14043

**Canada**  
 2290 Industrial Street  
 Burlington, Ontario  
 L7P 1A1

888.842.5668

905.335.5523

info@rpmrubberparts.com




oil-resistant elastomer are available.



[Request for Quote](#)


[Contact Us](#)

 **USA**  
4392 Broadway  
Depew, NY 14043

 **Canada**  
2290 Industrial Street  
Burlington, Ontario  
L7P 1A1

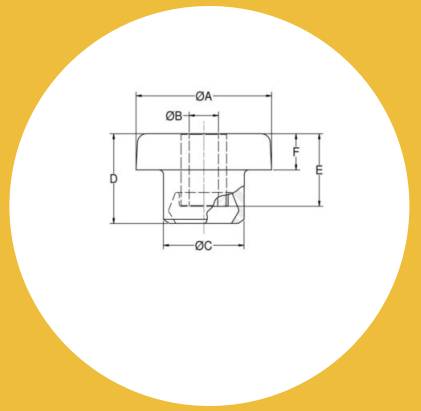
 888.842.5668

 905.335.5523

 [info@rpmrubberparts.com](mailto:info@rpmrubberparts.com)



# CB-1124-13 Center Bonded Mounts Cb 1100 Series

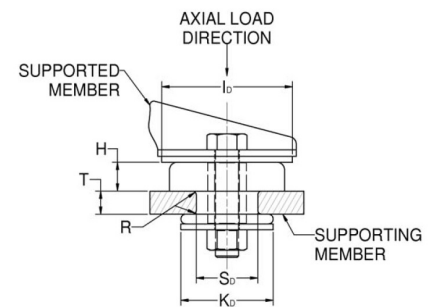


Item # CB-1124-13 Center Bonded Mounts Cb 1100 Series  
 Manufacturer: Parker Lord Corporation

## Specifications (Continued)

Recommended Bolt Size (in)	5/8
Recommended Steel Washer	(Head Washer J-2049-70)(Tail Washer J-2049-67)
SD (in)	1.81
SD (mm)	46
Series	CB-1100
T (in)	0.75
T (mm)	19.1
Thickness (in)	0.125
Thickness (Metric)	3.2

Installation View



- Center Bonded Mounts isolate vibration, control shock and reduce noise due to structure borne vibrations. Available in a full range of rated load capacities and able to withstand shock loads of 10 g's, these mounts effectively protect equipment and improve operator comfort. They are ideal for automotive, marine, railroad and industrial markets.

Center Bonded Mounts provide flexible suspension systems for mobile transport-



Request for Quote

Contact Us

**USA**  
 4392 Broadway  
 Depew, NY 14043

**Canada**  
 2290 Industrial Street  
 Burlington, Ontario  
 L7P 1A1

888.842.5668

905.335.5523

info@rpmrubberparts.com





oil-resistant elastomer are available.



[Request for Quote](#)

[Contact Us](#)

 **USA**  
4392 Broadway  
Depew, NY 14043

 **Canada**  
2290 Industrial Street  
Burlington, Ontario  
L7P 1A1

 888.842.5668

 905.335.5523

 [info@rpmrubberparts.com](mailto:info@rpmrubberparts.com)

