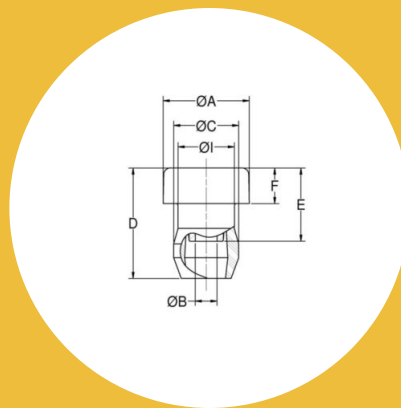


CB-1180-1 Center Bonded Mounts Cb 1180 Series



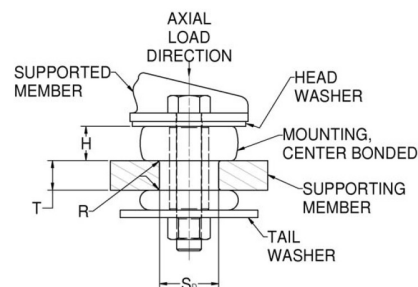
Item # CB-1180-1 Center Bonded Mounts Cb 1180 Series

Manufacturer: Parker Lord Corporation

Specifications

A (in)	2.5
Application Engineering Assistance	Frequently vibration isolation problems require a system engineering analysis. Lord has the computer capability as well as specialized programs for analyzing engine/transmission combinations.
B (in)	0.64
C (in)	1.87
D (in)	3.2
E (in)	2.12
F (in)	1.01
F (mm)	25.7
I (in)	1.625
I (mm)	41.3
ID (in)	0.66
ID (mm)	16.8

Installation View
(Shown Under No Load)



- Center Bonded Mounts isolate vibration, control shock and reduce noise due to structure borne vibrations.
- Available in a full range of rated load capacities and able to withstand shock loads of 10 g's, these mounts effectively protect equipment and improve operator comfort. They are ideal for automotive, marine, railroad and industrial markets.

Center Bonded Mounts



[Request for Quote](#)

[Contact Us](#)

USA
4392 Broadway
Depew, NY 14043

Canada
2290 Industrial Street
Burlington, Ontario
L7P 1A1

888.842.5668
905.335.5523
info@rpmrubberparts.com




for general industrial applications. For on-highway use 80% of loads shown. Bar off-highway use 70% of loads shown.



[Request for Quote](#)

[Contact Us](#)

 **USA**
4392 Broadway
Depew, NY 14043

 **Canada**
2290 Industrial Street
Burlington, Ontario
L7P 1A1

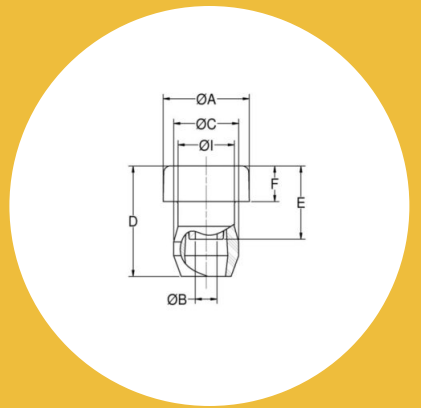
 888.842.5668

 905.335.5523

 info@rpmrubberparts.com



CB-1180-1 Center Bonded Mounts Cb 1180 Series

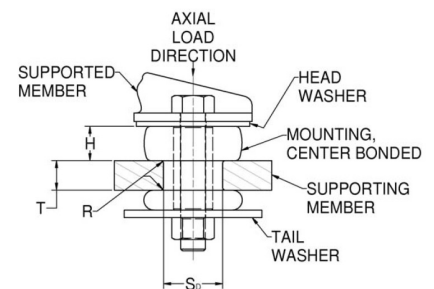


Item # CB-1180-1 Center Bonded Mounts Cb 1180 Series
Manufacturer: Parker Lord Corporation

Specifications (Continued)

Max Axial Deflection (in)	0.135
Max Axial Deflection (Metric)	3.4
Max Axial Static Load Rating (lbs at in)	400
Max Axial Static Load at Deflection (Metric)	1780
R (in)	0.075
R (mm)	1.9
Recommended Bolt Grade or Class (SAE J1199)	10.9
Recommended Bolt Grade or Class (SAE J429)	8
Recommended Bolt Size (in)	5/8
Recommended Steel Washer	J-2049-68
SD (in)	1.5
SD (mm)	38.1
Series	CB-1180

Installation View
 (Shown Under No Load)



- Center Bonded Mounts isolate vibration, control shock and reduce noise due to structure borne vibrations.
- Available in a full range of rated load capacities and able to withstand shock loads of 10 g's, these mounts effectively protect equipment and improve operator comfort. They are ideal for automotive, marine, railroad and industrial markets.

Center Bonded Mounts



[Request for Quote](#)

[Contact Us](#)

USA
 4392 Broadway
 Depew, NY 14043

Canada
 2290 Industrial Street
 Burlington, Ontario
 L7P 1A1

888.842.5668

905.335.5523

info@rpmrubberparts.com



for general industrial applications. For on-highway use 80% of loads shown. Bar off-highway use 70% of loads shown.



[Request for Quote](#)

[Contact Us](#)

 **USA**
4392 Broadway
Depew, NY 14043

 **Canada**
2290 Industrial Street
Burlington, Ontario
L7P 1A1

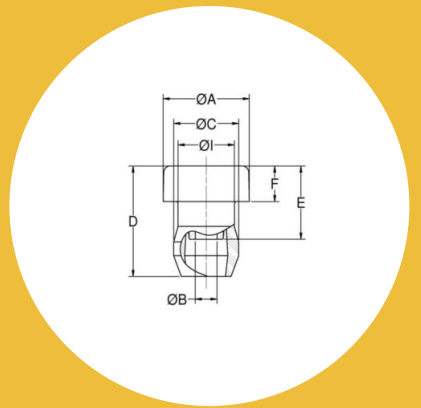
 888.842.5668

 905.335.5523

 info@rpmrubberparts.com



CB-1180-1 Center Bonded Mounts Cb 1180 Series

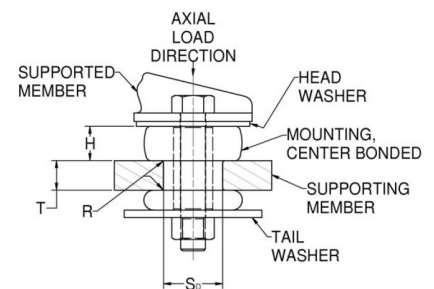


Item # CB-1180-1 Center Bonded Mounts Cb 1180 Series
Manufacturer: Parker Lord Corporation

Specifications (Continued)

T (in)	0.75
T (mm)	19.1
Thickness (in)	0.125
Thickness (Metric)	3.2

*Installation View
(Shown Under No Load)*



- Center Bonded Mounts isolate vibration, control shock and reduce noise due to structure borne vibrations.
- Available in a full range of rated load capacities and able to withstand shock loads of 10 g's, these mounts effectively protect equipment and improve operator comfort. They are ideal for automotive, marine, railroad and industrial markets.

Center Bonded Mounts



[Request for Quote](#)

[Contact Us](#)

USA
 4392 Broadway
 Depew, NY 14043

Canada
 2290 Industrial Street
 Burlington, Ontario
 L7P 1A1

☎ 888.842.5668

☎ 905.335.5523

✉ info@rpmrubberparts.com




for general industrial applications. For on-highway use 80% of loads shown. Bar off-highway use 70% of loads shown.



[Request for Quote](#)

[Contact Us](#)

 **USA**
4392 Broadway
Depew, NY 14043

 **Canada**
2290 Industrial Street
Burlington, Ontario
L7P 1A1

 888.842.5668

 905.335.5523

 info@rpmrubberparts.com

