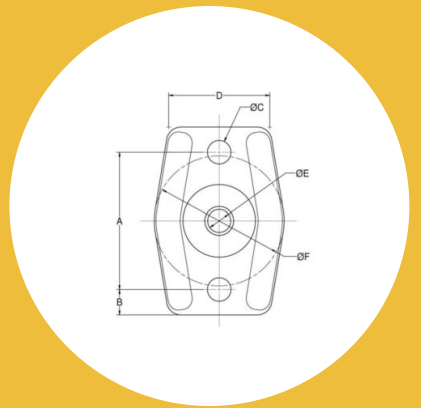


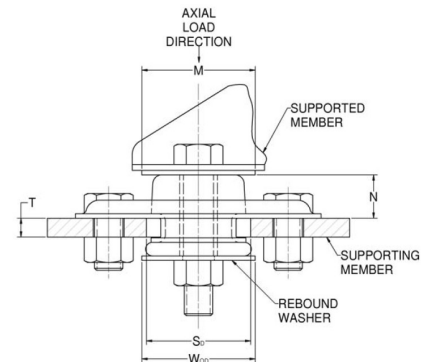
# CBA12-100-50 Center Bonded Mounts Cba 50 Series



Item # CBA12-100-50 Center Bonded Mounts Cba 50 Series  
 Manufacturer: Parker Lord Corporation

## Specifications

A (in)	2.38
Applicable Metal Bracket	Y-30266-5-1
Application Engineering Assistance	Frequently vibration isolation problems require a system engineering analysis. Lord has the computer capability as well as specialized programs for analyzing engine/transmission combinations. The
Axial Static Spring Rate (lbs/in)	1110
Axial Static Spring Rate (Metric)	194
B (in)	0.44
D (in)	1.75
F (in)	2.25
F (mm)	57.2
I (in)	1.25
I (mm)	31.8
ID (in)	0.42



Center Bonded Mounts isolate vibration, control shock and reduce noise due to structure borne vibrations.

Available in a full range of rated load capacities and able to withstand shock loads of 10 g's, these mounts effectively protect equipment and improve operator comfort. They are ideal for automotive, marine, railroad and industrial markets.

Center Bonded Mounts provide flexible suspension systems for mobile, transport-mounted or



Request for Quote

Contact Us

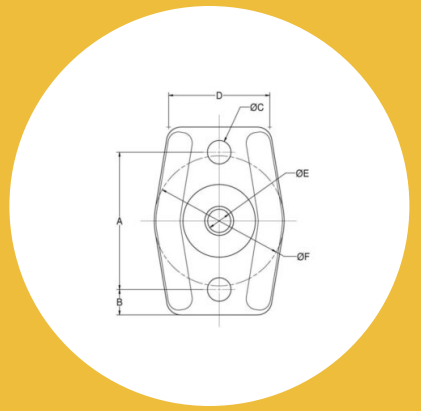
**USA**  
 4392 Broadway  
 Depew, NY 14043

**Canada**  
 2290 Industrial Street  
 Burlington, Ontario  
 L7P 1A1

888.842.5668  
 905.335.5523  
 info@rpmrubberparts.com



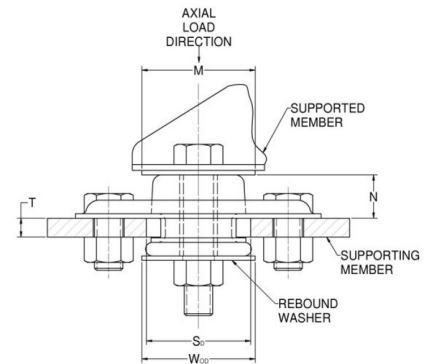
# CBA12-100-50 Center Bonded Mounts Cba 50 Series



Item # CBA12-100-50 Center Bonded Mounts Cba 50 Series  
 Manufacturer: Parker Lord Corporation

## Specifications (Continued)

J (in)	1.07
J (mm)	27.2
K (in)	1.25
K (mm)	31.8
Manufacturer	Parker LORD
Material	Low Carbon Steel
Max Axial Static Load at Deflection (lbs)	100 at 0.09
Max Axial Static Load Rating (lbs at in)	100 at 0.09
Max Axial Static Load Rating (Metric)	445 at 2.3
Max Diameter (C) (in)	0.412
Max Diameter (C) (Metric)	10.5
Max ID (E) (in)	10.4
Max ID (E) (mm)	10.4



Center Bonded Mounts isolate vibration, control shock and reduce noise due to structure borne vibrations.

Available in a full range of rated load capacities and able to withstand shock loads of 10 g's, these mounts effectively protect equipment and improve operator comfort. They are ideal for automotive, marine, railroad and industrial markets.

Center Bonded Mounts provide flexible suspension systems for mobile, transport-mounted or



[Request for Quote](#)

[Contact Us](#)

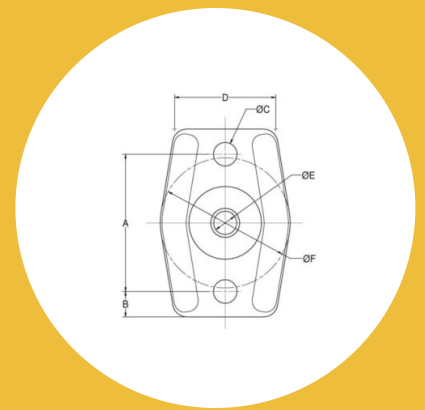
**USA**  
 4392 Broadway  
 Depew, NY 14043

**Canada**  
 2290 Industrial Street  
 Burlington, Ontario  
 L7P 1A1

888.842.5668  
 905.335.5523  
[info@rpmrubberparts.com](mailto:info@rpmrubberparts.com)



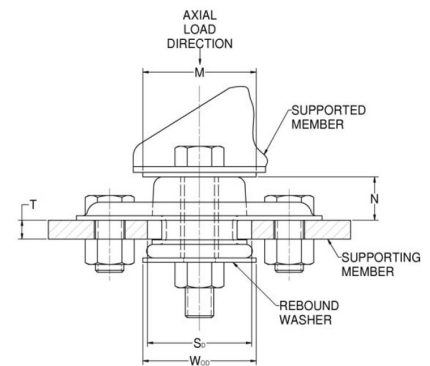
# CBA12-100-50 Center Bonded Mounts Cba 50 Series



Item # CBA12-100-50 Center Bonded Mounts Cba 50 Series  
 Manufacturer: Parker Lord Corporation

## Specifications (Continued)

Max T (Imperial)	0.25
Max T (Metric)	6.4
Min Diameter (C) (mm)	10.3
Min ID (E) (in)	0.397
Min ID (E) (mm)	10.1
Min M (Imperial)	1.5
Min M (Metric)	38.1
Min T (Imperial)	0.19
Min T (Metric)	4.8
N (in)	0.57
N (mm)	14.5
OD (E) (in)	0.5
Radial Static Spring Rate (lbs/in)	1300



Center Bonded Mounts isolate vibration, control shock and reduce noise due to structure borne vibrations.

Available in a full range of rated load capacities and able to withstand shock loads of 10 g's, these mounts effectively protect equipment and improve operator comfort. They are ideal for automotive, marine, railroad and industrial markets.

Center Bonded Mounts provide flexible suspension systems for mobile, transport-mounted or



[Request for Quote](#)

[Contact Us](#)

**USA**  
 4392 Broadway  
 Depew, NY 14043

**Canada**  
 2290 Industrial Street  
 Burlington, Ontario  
 L7P 1A1

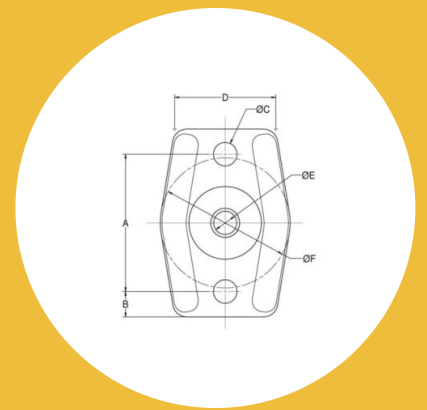
888.842.5668

905.335.5523

info@rpmrubberparts.com



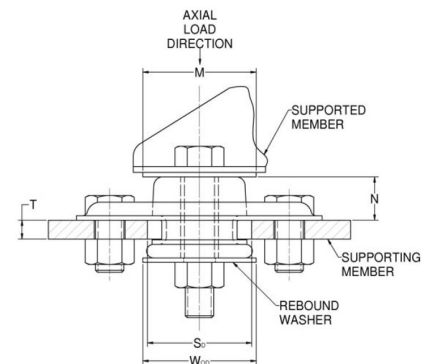
# CBA12-100-50 Center Bonded Mounts Cba 50 Series



**Item #** CBA12-100-50 Center Bonded Mounts Cba 50 Series  
**Manufacturer:** Parker Lord Corporation

## Specifications (Continued)

Radial Static Spring Rate (Metric)	228
Recommended Steel Washer	J-2049-58
SD (in)	1.38
SD (mm)	35.1
Series	CBA-50
Thickness (in)	0.12
Thickness (Metric)	3



Center Bonded Mounts isolate vibration, control shock and reduce noise due to structure borne vibrations.

Available in a full range of rated load capacities and able to withstand shock loads of 10 g's, these mounts effectively protect equipment and improve operator comfort. They are ideal for automotive, marine, railroad and industrial markets.

Center Bonded Mounts provide flexible suspension systems for mobile, transport-mounted or



[Request for Quote](#)

[Contact Us](#)

**USA**  
 4392 Broadway  
 Depew, NY 14043

**Canada**  
 2290 Industrial Street  
 Burlington, Ontario  
 L7P 1A1

888.842.5668

905.335.5523

info@rpmrubberparts.com

