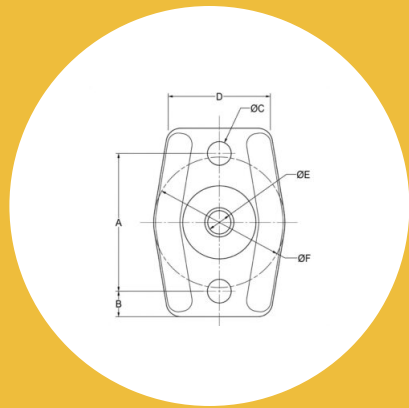


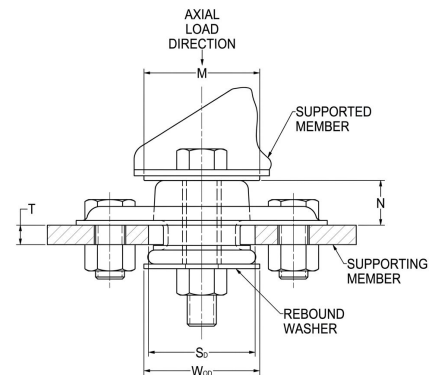
# CBA12-200-50 Center Bonded Mounts Cba 50 Series



**Item #** CBA12-200-50 Center Bonded Mounts Cba 50 Series  
**Manufacturer:** Parker Lord Corporation

## Specifications

<b>A (in)</b>	<b>2.38</b>
<b>Applicable Metal Bracket</b>	<b>Y-30266-5-1</b>
<b>Application Engineering Assistance</b>	<b>Frequently vibration isolation problems require a system engineering analysis. Lord has the computer capability as well as specialized programs for analyzing engine/transmission combinations. The</b>
<b>Axial Static Spring Rate (lbs/in)</b>	<b>2220</b>
<b>Axial Static Spring Rate (Metric)</b>	<b>389</b>
<b>B (in)</b>	<b>0.44</b>
<b>D (in)</b>	<b>1.75</b>
<b>F (in)</b>	<b>2.25</b>
<b>F (mm)</b>	<b>57.2</b>
<b>I (in)</b>	<b>1.25</b>
<b>I (mm)</b>	<b>31.8</b>
<b>ID (in)</b>	<b>0.42</b>



Center Bonded Mounts isolate vibration, control shock and reduce noise due to structure borne vibrations.

Available in a full range of rated load capacities and able to withstand shock loads of 10 g's, these mounts effectively protect equipment and improve operator comfort. They are ideal for automotive, marine, railroad and industrial markets.

Center Bonded Mounts provide flexible suspension systems for



[Request for Quote](#)

[Contact Us](#)

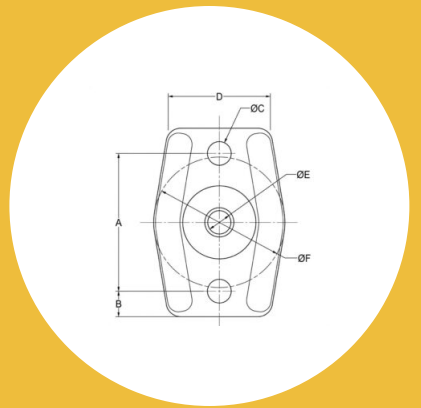
**USA**  
 4392 Broadway  
 Depew, NY 14043

**Canada**  
 2290 Industrial Street  
 Burlington, Ontario  
 L7P 1A1

888.842.5668  
 905.335.5523  
[info@rpmrubberparts.com](mailto:info@rpmrubberparts.com)



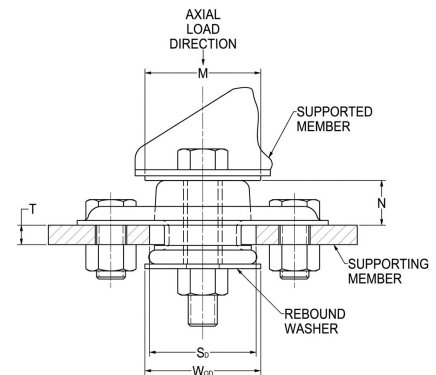
# CBA12-200-50 Center Bonded Mounts Cba 50 Series



**Item #** CBA12-200-50 Center Bonded Mounts Cba 50 Series  
**Manufacturer:** Parker Lord Corporation

## Specifications (Continued)

<b>J (in)</b>	<b>1.07</b>
<b>J (mm)</b>	<b>27.2</b>
<b>K (in)</b>	<b>1.25</b>
<b>K (mm)</b>	<b>31.8</b>
<b>Manufacturer</b>	<b>Parker LORD</b>
<b>Material</b>	<b>Low Carbon Steel</b>
<b>Max Axial Static Load at Deflection (lbs)</b>	<b>200 at 0.09</b>
<b>Max Axial Static Load Rating (lbs at in)</b>	<b>200 at 0.09</b>
<b>Max Axial Static Load Rating (Metric)</b>	<b>890 at 2.3</b>
<b>Max Diameter (C) (in)</b>	<b>0.412</b>
<b>Max Diameter (C) (Metric)</b>	<b>10.5</b>
<b>Max ID (E) (in)</b>	<b>10.4</b>
<b>Max ID (E) (mm)</b>	<b>10.4</b>



Center Bonded Mounts isolate vibration, control shock and reduce noise due to structure borne vibrations.

Available in a full range of rated load capacities and able to withstand shock loads of 10 g's, these mounts effectively protect equipment and improve operator comfort. They are ideal for automotive, marine, railroad and industrial markets.

Center Bonded Mounts provide flexible suspension systems for



[Request for Quote](#)

[Contact Us](#)

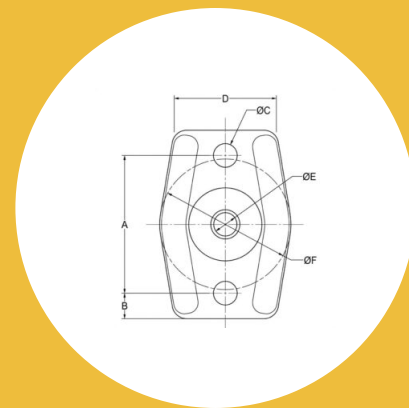
**USA**  
 4392 Broadway  
 Depew, NY 14043

**Canada**  
 2290 Industrial Street  
 Burlington, Ontario  
 L7P 1A1

888.842.5668  
 905.335.5523  
[info@rpmrubberparts.com](mailto:info@rpmrubberparts.com)



# CBA12-200-50 Center Bonded Mounts Cba 50 Series

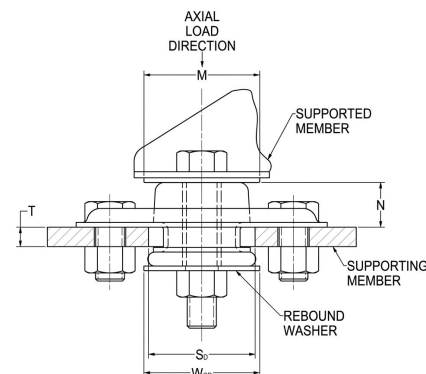


Item # CBA12-200-50 Center Bonded Mounts Cba 50 Series

Manufacturer: Parker Lord Corporation

## Specifications (Continued)

Max T (Imperial)	0.25
Max T (Metric)	6.4
Min Diameter (C) (mm)	10.3
Min ID (E) (in)	0.397
Min ID (E) (mm)	10.1
Min M (Imperial)	1.5
Min M (Metric)	38.1
Min T (Imperial)	0.19
Min T (Metric)	4.8
N (in)	0.57
N (mm)	14.5
OD (E) (in)	0.5
Radial Static Spring Rate (lbs/in)	3000



Center Bonded Mounts isolate vibration, control shock and reduce noise due to structure borne vibrations.

Available in a full range of rated load capacities and able to withstand shock loads of 10 g's, these mounts effectively protect equipment and improve operator comfort. They are ideal for automotive, marine, railroad and industrial markets.

Center Bonded Mounts provide flexible suspension systems for



[Request for Quote](#)

[Contact Us](#)

**USA**  
4392 Broadway  
Depew, NY 14043

**Canada**  
2290 Industrial Street  
Burlington, Ontario  
L7P 1A1

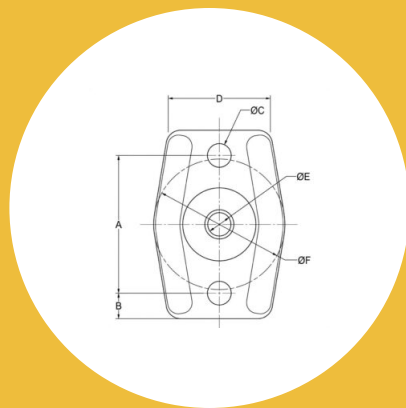
☎ 888.842.5668

☎ 905.335.5523

✉ info@rpmrubberparts.com



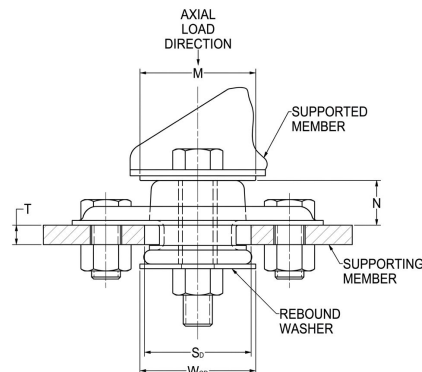
# CBA12-200-50 Center Bonded Mounts Cba 50 Series



**Item #** CBA12-200-50 Center Bonded Mounts Cba 50 Series  
**Manufacturer:** Parker Lord Corporation

## Specifications (Continued)

Radial Static Spring Rate (Metric)	525
Recommended Steel Washer	J-2049-58
SD (in)	1.38
SD (mm)	35.1
Series	CBA-50
Thickness (in)	0.12
Thickness (Metric)	3



Center Bonded Mounts isolate vibration, control shock and reduce noise due to structure borne vibrations.

Available in a full range of rated load capacities and able to withstand shock loads of 10 g's, these mounts effectively protect equipment and improve operator comfort. They are ideal for automotive, marine, railroad and industrial markets.

Center Bonded Mounts provide flexible suspension systems for



[Request for Quote](#)

[Contact Us](#)

**USA**  
 4392 Broadway  
 Depew, NY 14043

**Canada**  
 2290 Industrial Street  
 Burlington, Ontario  
 L7P 1A1

888.842.5668  
 905.335.5523  
[info@rpmrubberparts.com](mailto:info@rpmrubberparts.com) [in](#) [f](#)