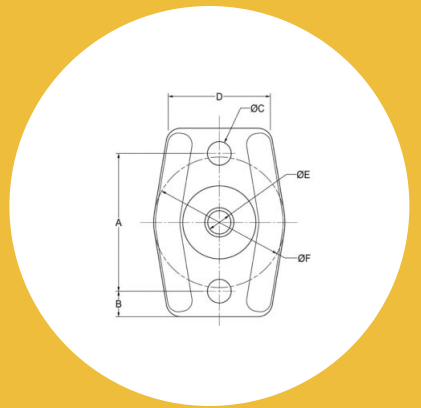


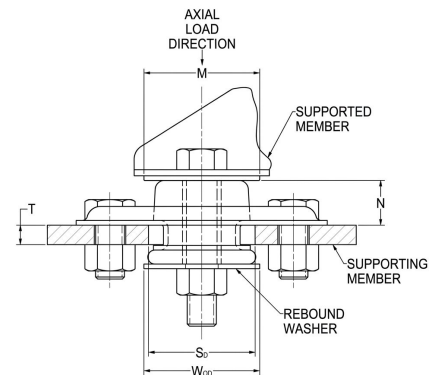
# CBA20-300-50 Center Bonded Mounts Cba 50 Series



Item # CBA20-300-50 Center Bonded Mounts Cba 50 Series  
 Manufacturer: Parker Lord Corporation

## Specifications

A (in)	3.75
Applicable Metal Bracket	Y-30266-4-1
Application Engineering Assistance	Frequently vibration isolation problems require a system engineering analysis. Lord has the computer capability as well as specialized programs for analyzing engine/transmission combinations. The
Axial Static Spring Rate (lbs/in)	2500
Axial Static Spring Rate (Metric)	438
B (in)	1/2
D (in)	2.25
F (in)	3
F (mm)	76.2
I (in)	2
I (mm)	50.8
ID (in)	0.52



Center Bonded Mounts isolate vibration, control shock and reduce noise due to structure borne vibrations.

Available in a full range of rated load capacities and able to withstand shock loads of 10 g's, these mounts effectively protect equipment and improve operator comfort. They are ideal for automotive, marine, railroad and industrial markets.

Center Bonded Mounts provide flexible suspension systems for



[Request for Quote](#)

[Contact Us](#)

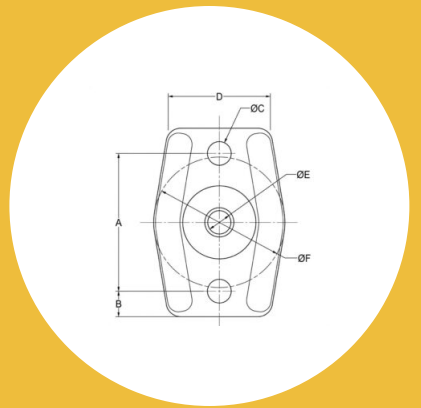
**USA**  
 4392 Broadway  
 Depew, NY 14043

**Canada**  
 2290 Industrial Street  
 Burlington, Ontario  
 L7P 1A1

888.842.5668  
 905.335.5523  
[info@rpmrubberparts.com](mailto:info@rpmrubberparts.com)



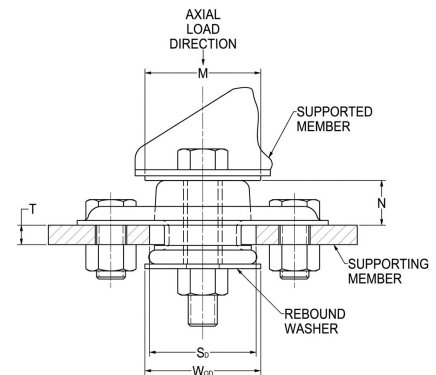
# CBA20-300-50 Center Bonded Mounts Cba 50 Series



Item # CBA20-300-50 Center Bonded Mounts Cba 50 Series  
 Manufacturer: Parker Lord Corporation

## Specifications (Continued)

J (in)	1.45
J (mm)	36.8
K (in)	1.92
K (mm)	48.8
Manufacturer	Parker LORD
Material	Low Carbon Steel
Max Axial Static Load at Deflection (lbs)	300 at 0.12
Max Axial Static Load Rating (lbs at in)	300 at 0.12
Max Axial Static Load Rating (Metric)	1334 at 3.0
Max Diameter (C) (in)	0.412
Max Diameter (C) (Metric)	10.5
Max ID (E) (in)	13.7
Max ID (E) (mm)	13.7



Center Bonded Mounts isolate vibration, control shock and reduce noise due to structure borne vibrations.

Available in a full range of rated load capacities and able to withstand shock loads of 10 g's, these mounts effectively protect equipment and improve operator comfort. They are ideal for automotive, marine, railroad and industrial markets.

Center Bonded Mounts provide flexible suspension systems for



[Request for Quote](#)

[Contact Us](#)

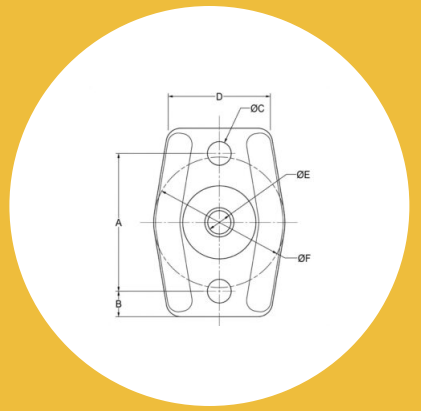
**USA**  
 4392 Broadway  
 Depew, NY 14043

**Canada**  
 2290 Industrial Street  
 Burlington, Ontario  
 L7P 1A1

☎ 888.842.5668  
 ☎ 905.335.5523  
 ✉ info@rpmrubberparts.com



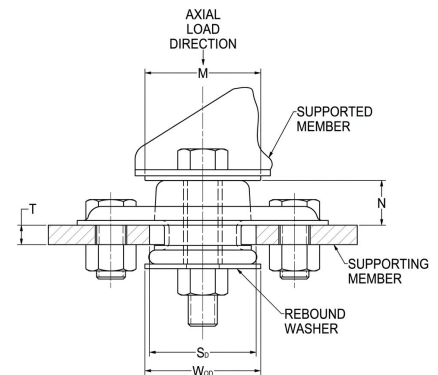
# CBA20-300-50 Center Bonded Mounts Cba 50 Series



**Item #** CBA20-300-50 Center Bonded Mounts Cba 50 Series  
**Manufacturer:** Parker Lord Corporation

## Specifications (Continued)

Max T (Imperial)	0.38
Max T (Metric)	9.7
Min Diameter (C) (mm)	10.3
Min ID (E) (in)	0.525
Min ID (E) (mm)	13.3
Min M (Imperial)	2.38
Min M (Metric)	60.5
Min T (Imperial)	0.25
Min T (Metric)	6.4
N (in)	0.79
N (mm)	20.1
OD (E) (in)	0.75
Radial Static Spring Rate (lbs/in)	3500



Center Bonded Mounts isolate vibration, control shock and reduce noise due to structure borne vibrations.

Available in a full range of rated load capacities and able to withstand shock loads of 10 g's, these mounts effectively protect equipment and improve operator comfort. They are ideal for automotive, marine, railroad and industrial markets.

Center Bonded Mounts provide flexible suspension systems for



[Request for Quote](#)

[Contact Us](#)

**USA**  
 4392 Broadway  
 Depew, NY 14043

**Canada**  
 2290 Industrial Street  
 Burlington, Ontario  
 L7P 1A1

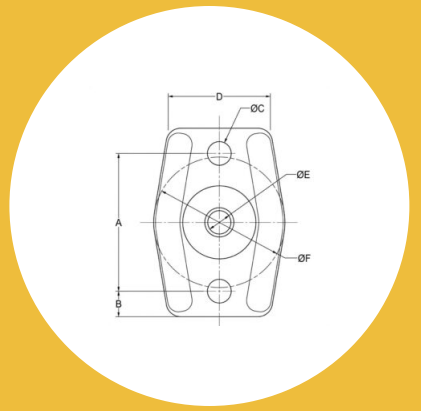
☎ 888.842.5668

☎ 905.335.5523

✉ info@rpmrubberparts.com



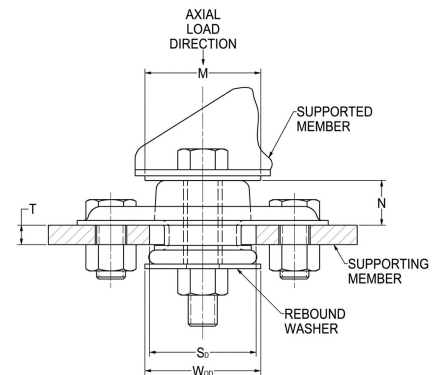
# CBA20-300-50 Center Bonded Mounts Cba 50 Series



**Item #** CBA20-300-50 Center Bonded Mounts Cba 50 Series  
**Manufacturer:** Parker Lord Corporation

## Specifications (Continued)

Radial Static Spring Rate (Metric)	613
Recommended Steel Washer	J-2049-52
SD (in)	2
SD (mm)	50.8
Series	CBA-50
Thickness (in)	0.125
Thickness (Metric)	3.2



Center Bonded Mounts isolate vibration, control shock and reduce noise due to structure borne vibrations.

Available in a full range of rated load capacities and able to withstand shock loads of 10 g's, these mounts effectively protect equipment and improve operator comfort. They are ideal for automotive, marine, railroad and industrial markets.

Center Bonded Mounts provide flexible suspension systems for



[Request for Quote](#)

[Contact Us](#)

**USA**  
 4392 Broadway  
 Depew, NY 14043

**Canada**  
 2290 Industrial Street  
 Burlington, Ontario  
 L7P 1A1

☎ 888.842.5668

☎ 905.335.5523

✉ [info@rpmrubberparts.com](mailto:info@rpmrubberparts.com)

