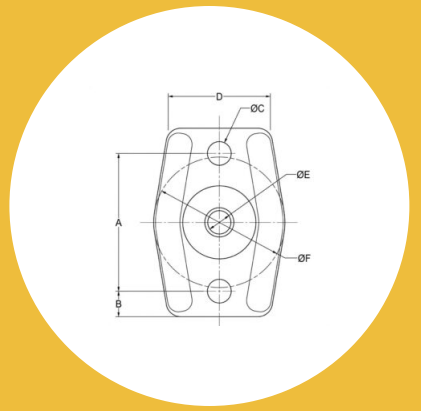


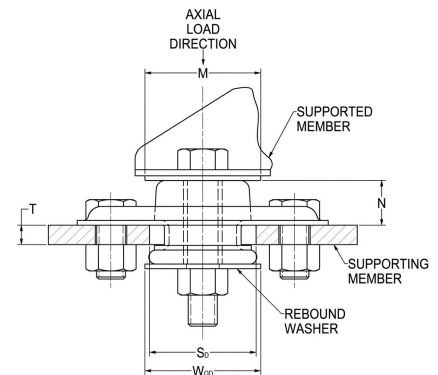
CBA20-400-50 Center Bonded Mounts Cba 50 Series



Item # CBA20-400-50 Center Bonded Mounts Cba 50 Series
Manufacturer: Parker Lord Corporation

Specifications

A (in)	3.75
Applicable Metal Bracket	Y-30266-4-1
Application Engineering Assistance	Frequently vibration isolation problems require a system engineering analysis. Lord has the computer capability as well as specialized programs for analyzing engine/transmission combinations. The
Axial Static Spring Rate (lbs/in)	3300
Axial Static Spring Rate (Metric)	578
B (in)	1/2
D (in)	2.25
F (in)	3
F (mm)	76.2
I (in)	2
I (mm)	50.8
ID (in)	0.52



Center Bonded Mounts isolate vibration, control shock and reduce noise due to structure borne vibrations.

Available in a full range of rated load capacities and able to withstand shock loads of 10 g's, these mounts effectively protect equipment and improve operator comfort. They are ideal for automotive, marine, railroad and industrial markets.

Center Bonded Mounts provide flexible suspension systems for



[Request for Quote](#)

[Contact Us](#)

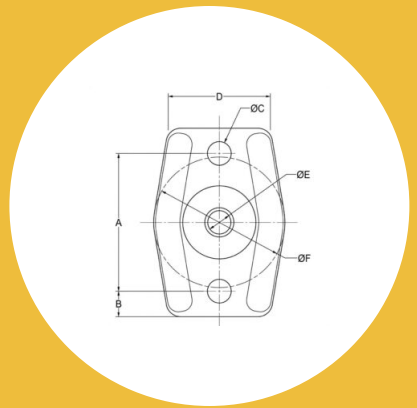
USA
 4392 Broadway
 Depew, NY 14043

Canada
 2290 Industrial Street
 Burlington, Ontario
 L7P 1A1

888.842.5668
 905.335.5523
info@rpmrubberparts.com



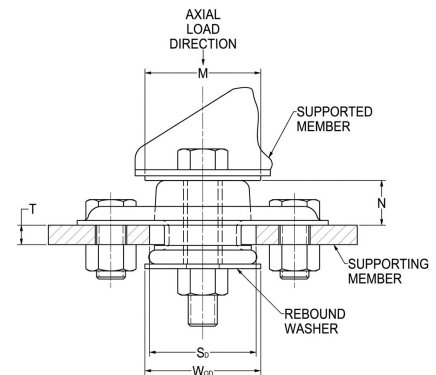
CBA20-400-50 Center Bonded Mounts Cba 50 Series



Item # CBA20-400-50 Center Bonded Mounts Cba 50 Series
Manufacturer: Parker Lord Corporation

Specifications (Continued)

J (in)	1.45
J (mm)	36.8
K (in)	1.92
K (mm)	48.8
Manufacturer	Parker LORD
Material	Low Carbon Steel
Max Axial Static Load at Deflection (lbs)	400 at 0.12
Max Axial Static Load Rating (lbs at in)	400 at 0.12
Max Axial Static Load Rating (Metric)	1780 at 3.0
Max Diameter (C) (in)	0.412
Max Diameter (C) (Metric)	10.5
Max ID (E) (in)	13.7
Max ID (E) (mm)	13.7



Center Bonded Mounts isolate vibration, control shock and reduce noise due to structure borne vibrations.

Available in a full range of rated load capacities and able to withstand shock loads of 10 g's, these mounts effectively protect equipment and improve operator comfort. They are ideal for automotive, marine, railroad and industrial markets.

Center Bonded Mounts provide flexible suspension systems for



[Request for Quote](#)

[Contact Us](#)

USA
 4392 Broadway
 Depew, NY 14043

Canada
 2290 Industrial Street
 Burlington, Ontario
 L7P 1A1

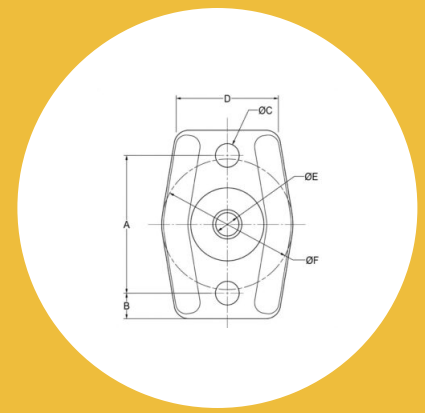
888.842.5668

905.335.5523

info@rpmrubberparts.com



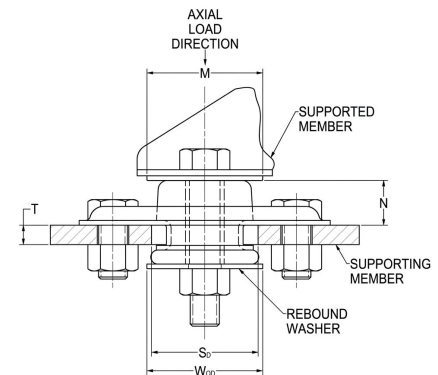
CBA20-400-50 Center Bonded Mounts Cba 50 Series



Item # CBA20-400-50 Center Bonded Mounts Cba 50 Series
Manufacturer: Parker Lord Corporation

Specifications (Continued)

Max T (Imperial)	0.38
Max T (Metric)	9.7
Min Diameter (C) (mm)	10.3
Min ID (E) (in)	0.525
Min ID (E) (mm)	13.3
Min M (Imperial)	2.38
Min M (Metric)	60.5
Min T (Imperial)	0.25
Min T (Metric)	6.4
N (in)	0.79
N (mm)	20.1
OD (E) (in)	0.75
Radial Static Spring Rate (lbs/in)	4300



Center Bonded Mounts isolate vibration, control shock and reduce noise due to structure borne vibrations.

Available in a full range of rated load capacities and able to withstand shock loads of 10 g's, these mounts effectively protect equipment and improve operator comfort. They are ideal for automotive, marine, railroad and industrial markets.

Center Bonded Mounts provide flexible suspension systems for



[Request for Quote](#)

[Contact Us](#)

USA
 4392 Broadway
 Depew, NY 14043

Canada
 2290 Industrial Street
 Burlington, Ontario
 L7P 1A1

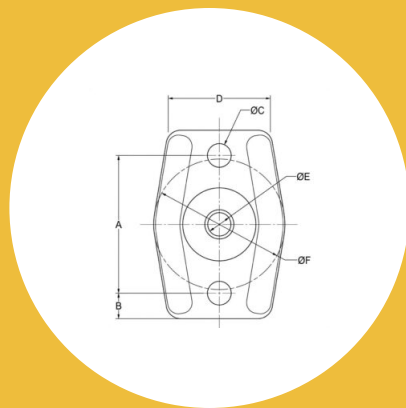
☎ 888.842.5668

☎ 905.335.5523

✉ info@rpmrubberparts.com



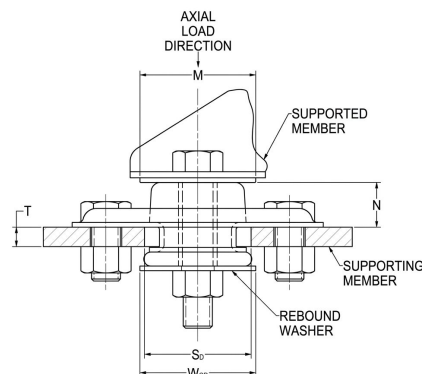
CBA20-400-50 Center Bonded Mounts Cba 50 Series



Item # CBA20-400-50 Center Bonded Mounts Cba 50 Series
Manufacturer: Parker Lord Corporation

Specifications (Continued)

Radial Static Spring Rate (Metric)	753
Recommended Steel Washer	J-2049-52
SD (in)	2
SD (mm)	50.8
Series	CBA-50
Thickness (in)	0.125
Thickness (Metric)	3.2



Center Bonded Mounts isolate vibration, control shock and reduce noise due to structure borne vibrations.

Available in a full range of rated load capacities and able to withstand shock loads of 10 g's, these mounts effectively protect equipment and improve operator comfort. They are ideal for automotive, marine, railroad and industrial markets.

Center Bonded Mounts provide flexible suspension systems for



[Request for Quote](#)

[Contact Us](#)

USA
 4392 Broadway
 Depew, NY 14043

Canada
 2290 Industrial Street
 Burlington, Ontario
 L7P 1A1

888.842.5668

905.335.5523

info@rpmrubberparts.com

