

HYD03-200-50 Hydro Mount

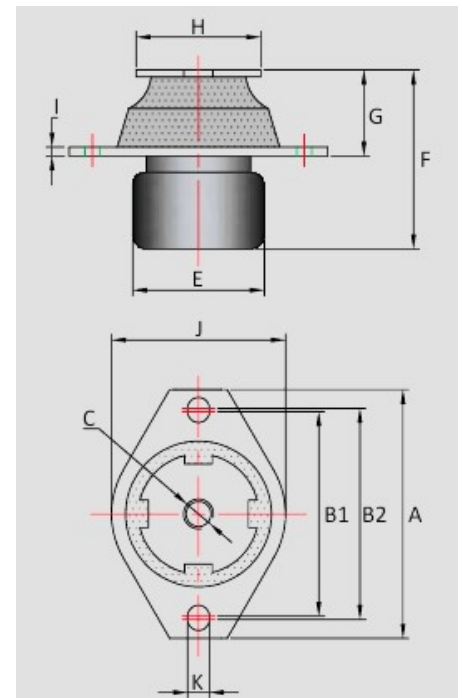


Item # HYD03-200-50 Hydro Mount

Manufacturer: RPM Mechanical

Specifications

Number of Mounting Holes	2
A (mm)	175
B1 (mm)	130
B2 (mm)	145
C (Thread Size)	M20
E (mm)	90
F (mm)	115
G (mm)	53
H (mm)	80
I (mm)	8
J (mm)	105
K (mm)	12
Max Load (kg)	300



[Request for Quote](#)

[Contact Us](#)

USA
4392 Broadway
Depew, NY 14043

Canada
2290 Industrial Street
Burlington, Ontario
L7P 1A1

888.842.5668

905.335.5523

info@rpmrubberparts.com

