

HYD03-200-70 Hydro Mount

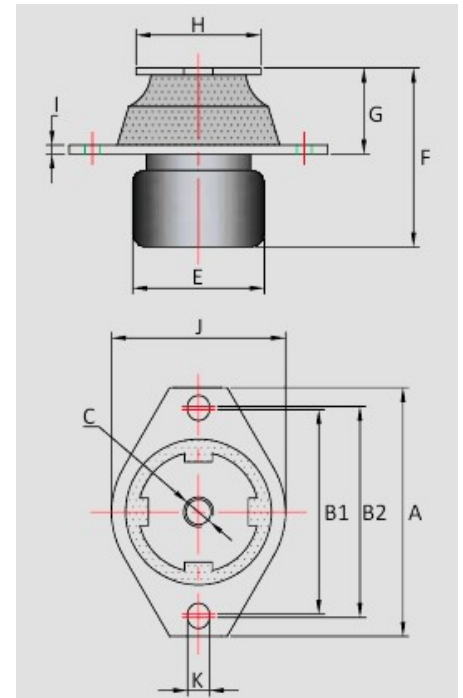


Item # HYD03-200-70 Hydro Mount

Manufacturer: RPM Mechanical

Specifications

| | |
|--------------------------|-----|
| Number of Mounting Holes | 2 |
| A (mm) | 175 |
| B1 (mm) | 130 |
| B2 (mm) | 145 |
| C (Thread Size) | M20 |
| E (mm) | 90 |
| F (mm) | 115 |
| G (mm) | 53 |
| H (mm) | 80 |
| I (mm) | 8 |
| J (mm) | 105 |
| K (mm) | 12 |
| Max Load (kg) | 410 |



[Request for Quote](#)

[Contact Us](#)

USA
4392 Broadway
Depew, NY 14043

Canada
2290 Industrial Street
Burlington, Ontario
L7P 1A1

888.842.5668

905.335.5523

info@rpmrubberparts.com

