

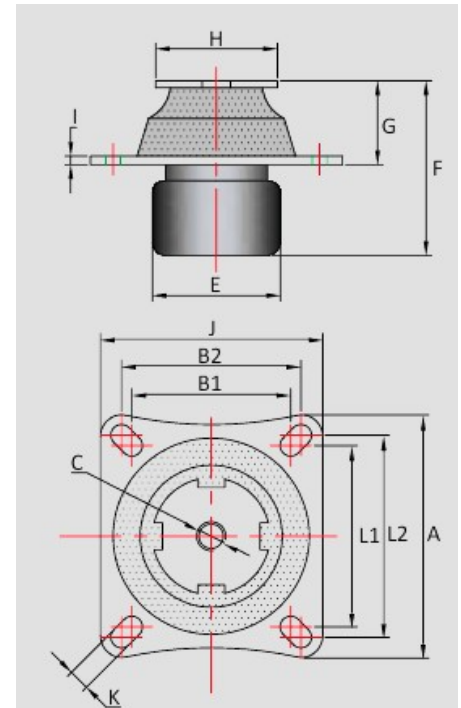
# HYDSQ01-550-60 Hydro Mount



Item # HYDSQ01-550-60 Hydro Mount  
 Manufacturer: RPM Mechanical

## Specifications

Number of Mounting Holes	2
A (mm)	132
B1 (mm)	99
B2 (mm)	109
L1 (mm)	79.5
L2 (mm)	82.5
C (Thread Size)	M12
E (mm)	63
F (mm)	96
G (mm)	45
H (mm)	75
I (mm)	5
J (mm)	90



[Request for Quote](#)

[Contact Us](#)

**USA**  
 4392 Broadway  
 Depew, NY 14043

**Canada**  
 2290 Industrial Street  
 Burlington, Ontario  
 L7P 1A1

☎ 888.842.5668

☎ 905.335.5523

✉ [info@rpmrubberparts.com](mailto:info@rpmrubberparts.com)



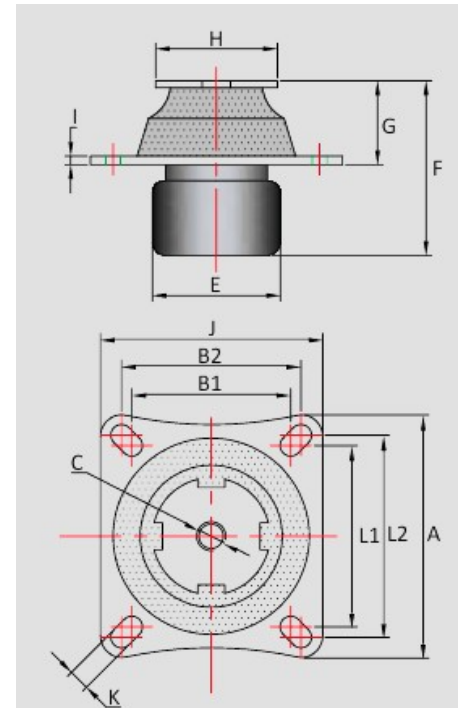
# HYDSQ01-550-60 Hydro Mount



Item # HYDSQ01-550-60 Hydro Mount  
Manufacturer: RPM Mechanical

## Specifications (Continued)

K (mm)	11
Max Load (kg)	250



[Request for Quote](#)

[Contact Us](#)

**USA**  
4392 Broadway  
Depew, NY 14043

**Canada**  
2290 Industrial Street  
Burlington, Ontario  
L7P 1A1

888.842.5668  
 905.335.5523  
 [info@rpmrubberparts.com](mailto:info@rpmrubberparts.com)

