

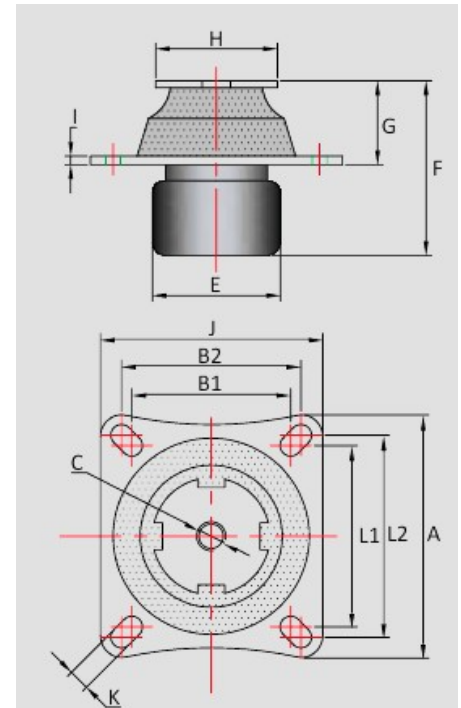
HYDSQ01-550-70 Hydro Mount



Item # HYDSQ01-550-70 Hydro Mount
 Manufacturer: RPM Mechanical

Specifications

| | |
|--------------------------|------|
| Number of Mounting Holes | 2 |
| A (mm) | 132 |
| B1 (mm) | 99 |
| B2 (mm) | 109 |
| L1 (mm) | 79.5 |
| L2 (mm) | 82.5 |
| C (Thread Size) | M12 |
| E (mm) | 63 |
| F (mm) | 96 |
| G (mm) | 45 |
| H (mm) | 75 |
| I (mm) | 5 |
| J (mm) | 90 |



[Request for Quote](#)

[Contact Us](#)

USA
 4392 Broadway
 Depew, NY 14043

Canada
 2290 Industrial Street
 Burlington, Ontario
 L7P 1A1

888.842.5668

905.335.5523

info@rpmrubberparts.com



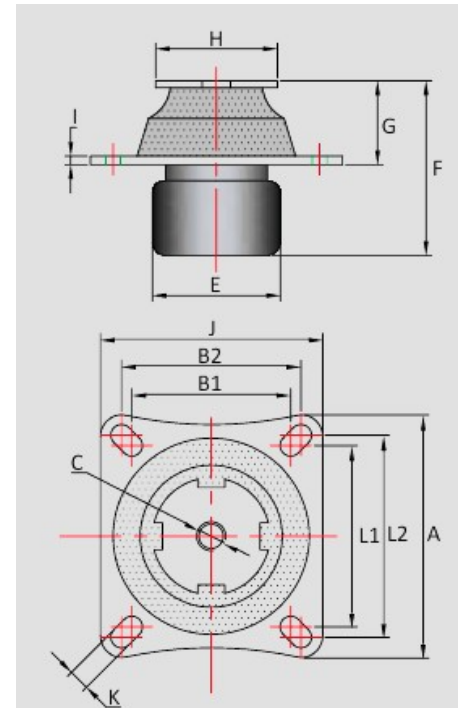
HYDSQ01-550-70 Hydro Mount



Item # HYDSQ01-550-70 Hydro Mount
Manufacturer: RPM Mechanical

Specifications (Continued)

| | |
|---------------|-----|
| K (mm) | 11 |
| Max Load (kg) | 5.2 |



[Request for Quote](#)

[Contact Us](#)

USA
4392 Broadway
Depew, NY 14043

Canada
2290 Industrial Street
Burlington, Ontario
L7P 1A1

888.842.5668

905.335.5523

info@rpmrubberparts.com

