

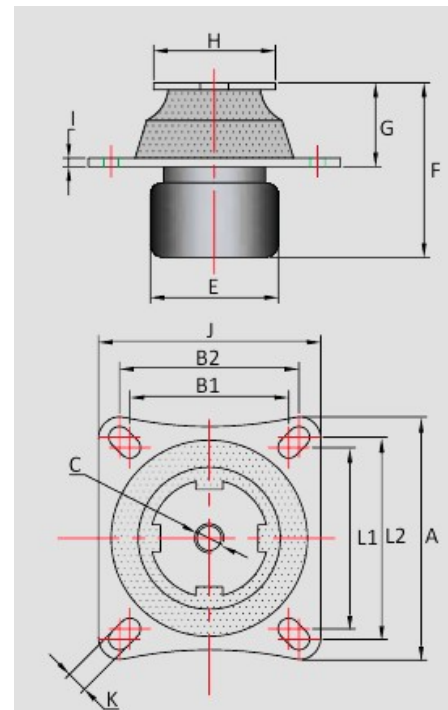
HYDSQ03-200-40 Hydro Mount



Item # HYDSQ03-200-40 Hydro Mount
 Manufacturer: RPM Mechanical

Specifications

Number of Mounting Holes	2
A (mm)	175
B1 (mm)	130
B2 (mm)	145
L1 (mm)	110
L2 (mm)	110
C (Thread Size)	M20
E (mm)	90
F (mm)	115
G (mm)	53
H (mm)	80
I (mm)	8
J (mm)	105



[Request for Quote](#)

[Contact Us](#)

USA
 4392 Broadway
 Depew, NY 14043

Canada
 2290 Industrial Street
 Burlington, Ontario
 L7P 1A1

888.842.5668
 905.335.5523
info@rpmrubberparts.com [in](#) [f](#)

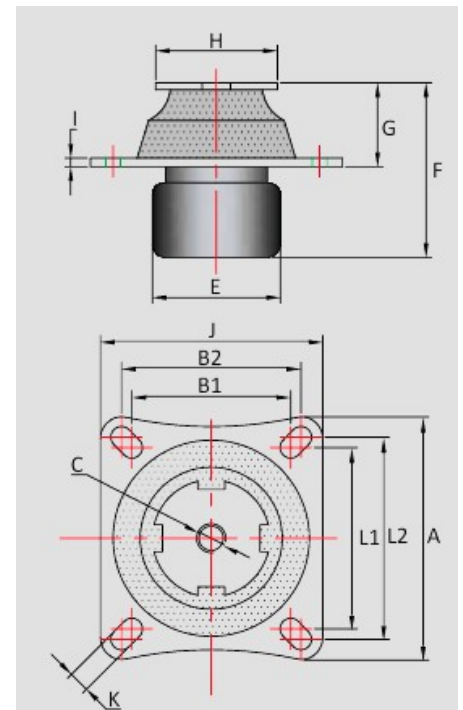
HYDSQ03-200-40 Hydro Mount



Item # HYDSQ03-200-40 Hydro Mount
Manufacturer: RPM Mechanical

Specifications (Continued)

K (mm)	12
Max Load (kg)	225



[Request for Quote](#)

[Contact Us](#)

USA
4392 Broadway
Depew, NY 14043

Canada
2290 Industrial Street
Burlington, Ontario
L7P 1A1

888.842.5668

905.335.5523

info@rpmrubberparts.com

