

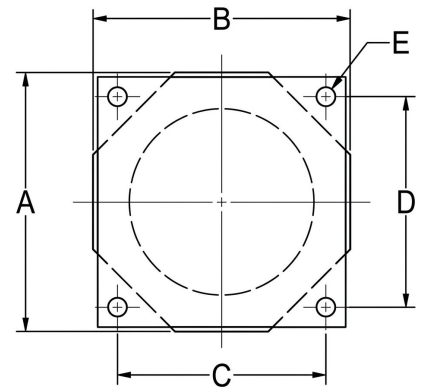
# J-14056-4 Large Shear Mounts



Item # J-14056-4 Large Shear Mounts  
 Manufacturer: Parker Lord Corporation

## Specifications

A (in)	7.12
B (in)	7.12
C (in)	5.75
Compression Spring Rate Kc (Imperial)	5100
Compression Spring Rate Kc (Metric)	893
Compression Static Load (lbs)	3670
Compression Static Load (Metric)	16325
D (in)	5.75
E (in)	0.51
Elastomer	Natural Rubber
F (in)	4
F (mm)	101.6
Flange Thickness (in)	0.19


[Request for Quote](#)
[Contact Us](#)

**USA**  
 4392 Broadway  
 Depew, NY 14043

**Canada**  
 2290 Industrial Street  
 Burlington, Ontario  
 L7P 1A1

888.842.5668

905.335.5523

[info@rpmrubberparts.com](mailto:info@rpmrubberparts.com)



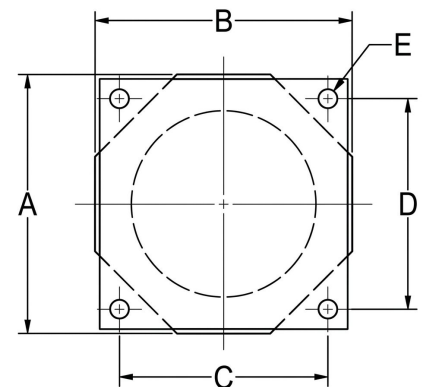
# J-14056-4 Large Shear Mounts



**Item #** J-14056-4 Large Shear Mounts  
**Manufacturer:** Parker Lord Corporation

## Specifications (Continued)

Flange Thickness (mm)	4.8
G (in)	5.5
G (mm)	139.7
Grade per SAE J429	2
Manufacturer	Parker LORD
Shear Spring Rate Ks (lbs/in)	850
Shear Spring Rate Ks (Metric)	149
Shear Static Load (lbs)	770
Shear Static Load (Metric)	3425
Types	5L



[Request for Quote](#)

[Contact Us](#)

**USA**  
 4392 Broadway  
 Depew, NY 14043

**Canada**  
 2290 Industrial Street  
 Burlington, Ontario  
 L7P 1A1

☎ 888.842.5668  
 ☎ 905.335.5523  
 ✉ info@rpmrubberparts.com

