

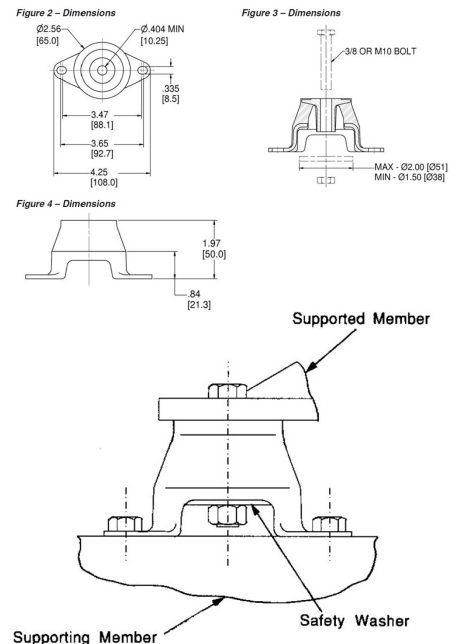
# J-20922-21 Small Industrial Engine Mounts



Item # J-20922-21 Small Industrial Engine Mounts  
 Manufacturer: Parker Lord Corporation

## Specifications

Axial Spring Rates (lbs/in)	1200
Axial Spring Rates (Metric)	210
Axial Static Spring Rate (lbs/in)	1200
Axial Static Spring Rate (Metric)	210
Color	Red
Color Code	Red
Lateral Spring Rates (lbs/in)	200
Lateral Spring Rates (Metric)	35
Manufacturer	Parker LORD
Max Axial Load Rating (lbs)	120
Max Axial Load Rating (Metric)	534
Max Axial Static Load Rating at 0.1 in (2.5 mm) Deflection (in)	120
Max Axial Static Load Rating at 0.1 in (2.5 mm) Deflection (Metric)	534



[Request for Quote](#)

[Contact Us](#)

**USA**  
 4392 Broadway  
 Depew, NY 14043

**Canada**  
 2290 Industrial Street  
 Burlington, Ontario  
 L7P 1A1

888.842.5668  
 905.335.5523  
[info@rpmrubberparts.com](mailto:info@rpmrubberparts.com)

