

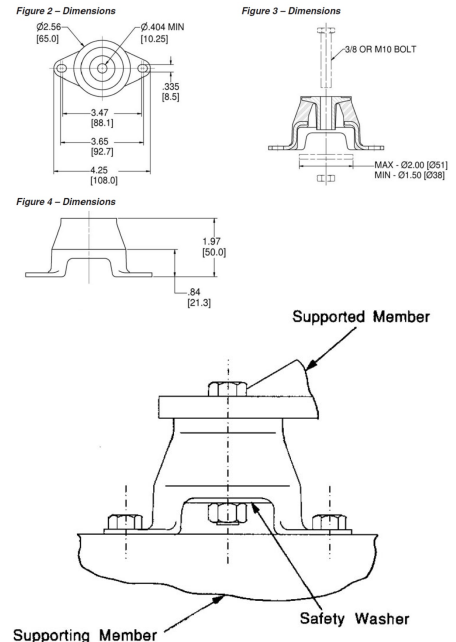
# J-20922-22 Small Industrial Engine Mounts



Item # J-20922-22 Small Industrial Engine Mounts  
 Manufacturer: Parker Lord Corporation

## Specifications

Axial Spring Rates (lbs/in)	1400
Axial Spring Rates (Metric)	245
Axial Static Spring Rate (lbs/in)	1400
Axial Static Spring Rate (Metric)	245
Color	Yellow
Color Code	Yellow
Lateral Spring Rates (lbs/in)	250
Lateral Spring Rates (Metric)	44
Manufacturer	Parker LORD
Max Axial Load Rating (lbs)	140
Max Axial Load Rating (Metric)	623
Max Axial Static Load Rating at 0.1 in (2.5 mm) Deflection (in)	140
Max Axial Static Load Rating at 0.1 in (2.5 mm) Deflection (Metric)	623



[Request for Quote](#)

[Contact Us](#)

**USA**  
 4392 Broadway  
 Depew, NY 14043

**Canada**  
 2290 Industrial Street  
 Burlington, Ontario  
 L7P 1A1

888.842.5668  
 905.335.5523  
[info@rpmrubberparts.com](mailto:info@rpmrubberparts.com)

