

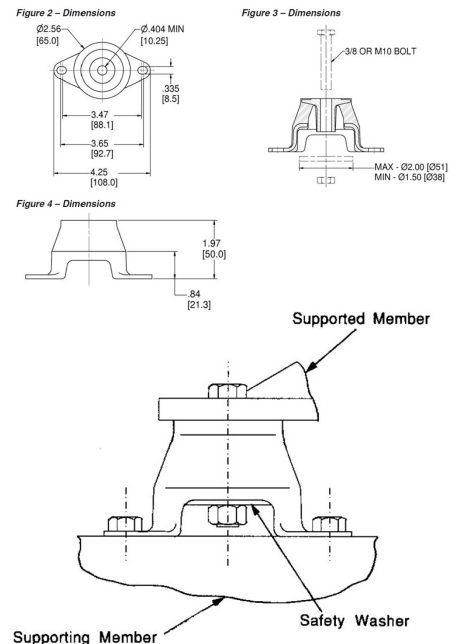
J-20922-23 Small Industrial Engine Mounts



Item # J-20922-23 Small Industrial Engine Mounts
Manufacturer: Parker Lord Corporation

Specifications

Axial Spring Rates (lbs/in)	1700
Axial Spring Rates (Metric)	300
Axial Static Spring Rate (lbs/in)	1700
Axial Static Spring Rate (Metric)	300
Color	Green
Color Code	Green
Lateral Spring Rates (lbs/in)	300
Lateral Spring Rates (Metric)	53
Manufacturer	Parker LORD
Max Axial Load Rating (lbs)	170
Max Axial Load Rating (Metric)	756
Max Axial Static Load Rating at 0.1 in (2.5 mm) Deflection (in)	170
Max Axial Static Load Rating at 0.1 in (2.5 mm) Deflection (Metric)	756



[Request for Quote](#)

[Contact Us](#)

USA
 4392 Broadway
 Depew, NY 14043

Canada
 2290 Industrial Street
 Burlington, Ontario
 L7P 1A1

888.842.5668
 905.335.5523
info@rpmrubberparts.com

