

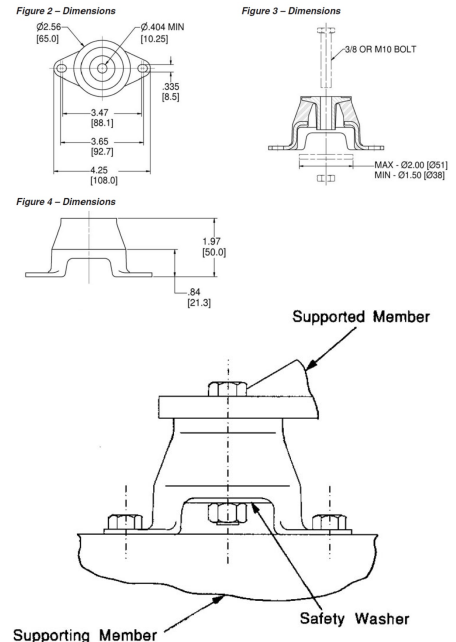
J-20922-24 Small Industrial Engine Mounts



Item # J-20922-24 Small Industrial Engine Mounts
 Manufacturer: Parker Lord Corporation

Specifications

Axial Spring Rates (lbs/in)	2100
Axial Spring Rates (Metric)	370
Axial Static Spring Rate (lbs/in)	2100
Axial Static Spring Rate (Metric)	370
Color	Blue
Color Code	Blue
Lateral Spring Rates (lbs/in)	360
Lateral Spring Rates (Metric)	63
Manufacturer	Parker LORD
Max Axial Load Rating (lbs)	210
Max Axial Load Rating (Metric)	934
Max Axial Static Load Rating at 0.1 in (2.5 mm) Deflection (in)	210
Max Axial Static Load Rating at 0.1 in (2.5 mm) Deflection (Metric)	934



[Request for Quote](#)

[Contact Us](#)

USA
 4392 Broadway
 Depew, NY 14043

Canada
 2290 Industrial Street
 Burlington, Ontario
 L7P 1A1

888.842.5668
 905.335.5523
info@rpmrubberparts.com

