

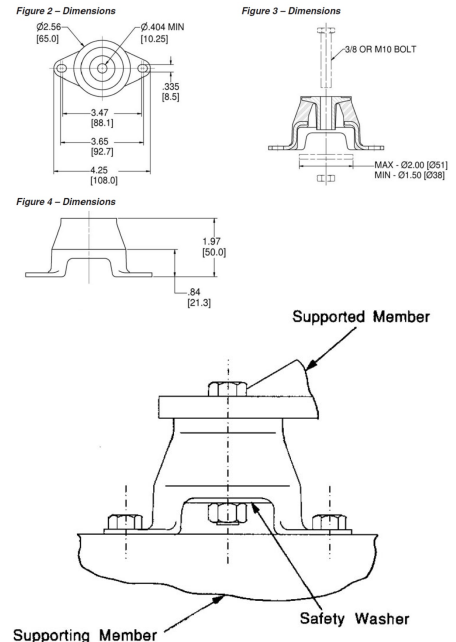
# J-20922-25 Small Industrial Engine Mounts



Item # J-20922-25 Small Industrial Engine Mounts  
 Manufacturer: Parker Lord Corporation

## Specifications

Axial Spring Rates (lbs/in)	2500
Axial Spring Rates (Metric)	440
Axial Static Spring Rate (lbs/in)	2500
Axial Static Spring Rate (Metric)	440
Color	Purple
Color Code	Purple
Lateral Spring Rates (lbs/in)	420
Lateral Spring Rates (Metric)	74
Manufacturer	Parker LORD
Max Axial Load Rating (lbs)	250
Max Axial Load Rating (Metric)	1112
Max Axial Static Load Rating at 0.1 in (2.5 mm) Deflection (in)	250
Max Axial Static Load Rating at 0.1 in (2.5 mm) Deflection (Metric)	1112



[Request for Quote](#)

[Contact Us](#)

**USA**  
 4392 Broadway  
 Depew, NY 14043

**Canada**  
 2290 Industrial Street  
 Burlington, Ontario  
 L7P 1A1

888.842.5668  
 905.335.5523  
[info@rpmrubberparts.com](mailto:info@rpmrubberparts.com)

