

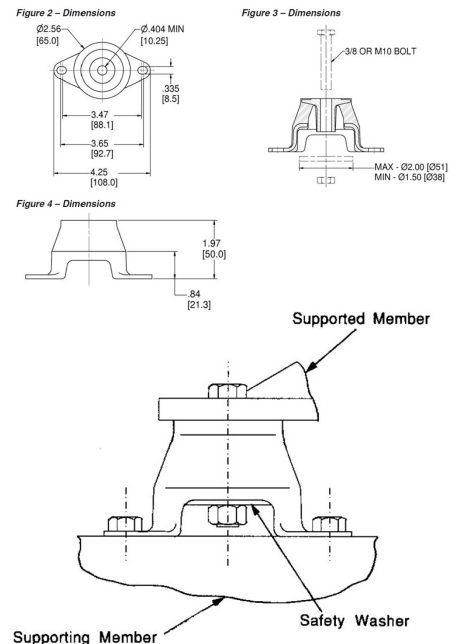
# J-20922-26 Small Industrial Engine Mounts



Item # J-20922-26 Small Industrial Engine Mounts  
 Manufacturer: Parker Lord Corporation

## Specifications

Axial Spring Rates (lbs/in)	3000
Axial Spring Rates (Metric)	550
Axial Static Spring Rate (lbs/in)	3000
Axial Static Spring Rate (Metric)	550
Color	Orange
Color Code	Orange
Lateral Spring Rates (lbs/in)	500
Lateral Spring Rates (Metric)	90
Manufacturer	Parker LORD
Max Axial Load Rating (lbs)	300
Max Axial Load Rating (Metric)	1334
Max Axial Static Load Rating at 0.1 in (2.5 mm) Deflection (in)	300
Max Axial Static Load Rating at 0.1 in (2.5 mm) Deflection (Metric)	1334



[Request for Quote](#)

[Contact Us](#)

**USA**  
 4392 Broadway  
 Depew, NY 14043

**Canada**  
 2290 Industrial Street  
 Burlington, Ontario  
 L7P 1A1

888.842.5668  
 905.335.5523  
[info@rpmrubberparts.com](mailto:info@rpmrubberparts.com)

