

# J-21100-1 Conical Mounts



Item # J-21100-1 Conical Mounts

Manufacturer: Parker Lord Corporation

## Specifications

Axial Dynamic Stiffness (lbs/in)	1945
Axial Dynamic Stiffness (Metric)	310
Axial Static Stiffness (Imperial)	1770
Axial Static Stiffness (Metric)	310
Manufacturer	Parker LORD
Max Axial Deflection (in)	0.2
Max Axial Deflection (Metric)	5
Max Axial Load Rating (lbs)	540
Max Axial Load Rating (Metric)	2.4
Radial (R?) Static Stiffness (lbs/in)	6855
Radial (R?) Static Stiffness (Metric)	1200
Rated (R?) Static Stiffness (Imperial)	6855
Rated (R?) Static Stiffness (Metric)	1200



[Request for Quote](#)

[Contact Us](#)

**USA**  
4392 Broadway  
Depew, NY 14043

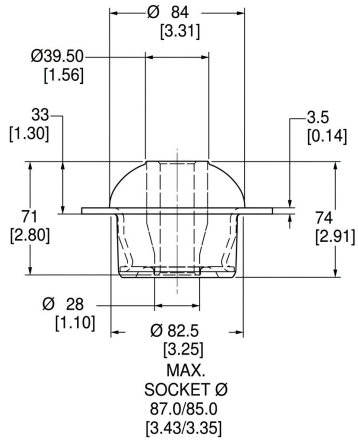
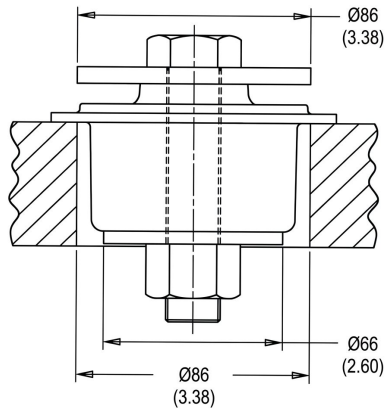
**Canada**  
2290 Industrial Street  
Burlington, Ontario  
L7P 1A1

888.842.5668

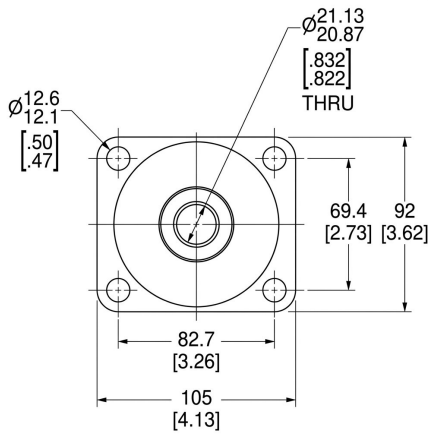
905.335.5523

[info@rpmrubberparts.com](mailto:info@rpmrubberparts.com)





MAX.  
SOCKET Ø  
87.0/85.0  
[3.43/3.35]



[Request for Quote](#)

[Contact Us](#)

**USA**  
4392 Broadway  
Depew, NY 14043

**Canada**  
2290 Industrial Street  
Burlington, Ontario  
L7P 1A1

888.842.5668

905.335.5523

[info@rpmrubberparts.com](mailto:info@rpmrubberparts.com)



# J-21100-1 Conical Mounts

Item # J-21100-1 Conical Mounts

Manufacturer: Parker Lord Corporation




## Specifications (Continued)


Rated Axial Static Deflection (in)	0.2
Rated Axial Static Deflection (Metric)	5
Rated Axial Static Load (lbs)	540
Rated Axial Static Load (Metric)	2.4
Recommended Bolt Size (in)	3/4



[Request for Quote](#)

[Contact Us](#)

 **USA**  
4392 Broadway  
Depew, NY 14043

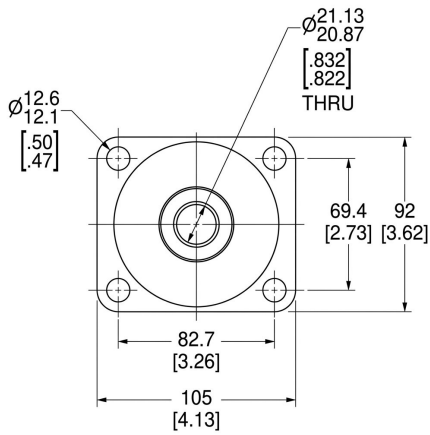
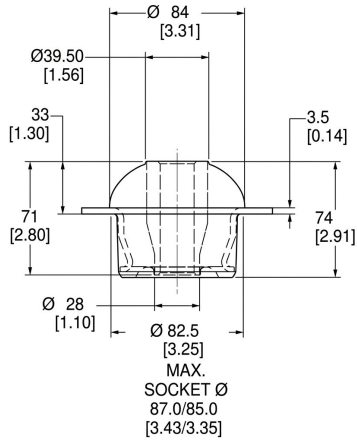
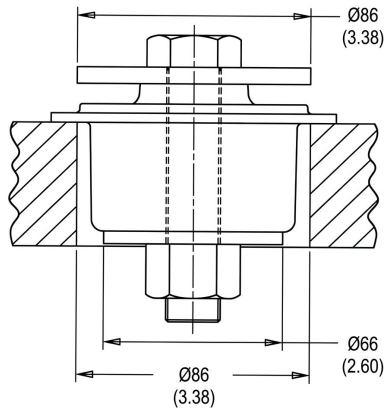
 **Canada**  
2290 Industrial Street  
Burlington, Ontario  
L7P 1A1

 888.842.5668

 905.335.5523

 [info@rpmrubberparts.com](mailto:info@rpmrubberparts.com)





Request for Quote

Contact Us

**USA**  
4392 Broadway  
Depew, NY 14043

**Canada**  
2290 Industrial Street  
Burlington, Ontario  
L7P 1A1

☎ 888.842.5668

☎ 905.335.5523

✉ info@rpmrubberparts.com

