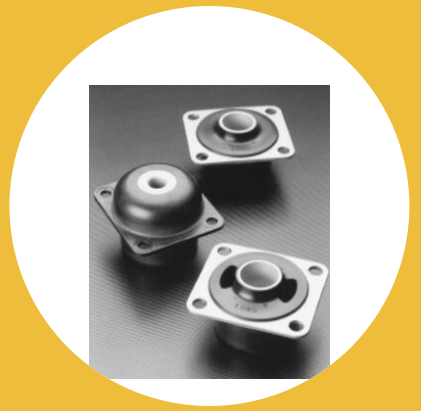


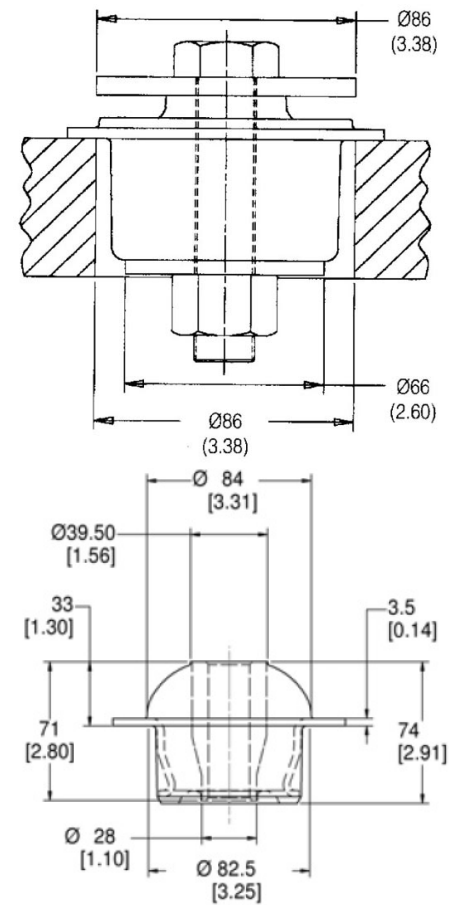
J-21100-10 Conical Mounts



Item # J-21100-10 Conical Mounts
 Manufacturer: Parker Lord Corporation

Specifications

Axial Dynamic Stiffness (lbs/in)	4140
Axial Dynamic Stiffness (Metric)	590
Axial Static Stiffness (Imperial)	3370
Axial Static Stiffness (Metric)	590
Manufacturer	Parker LORD
Max Axial Deflection (in)	0.2
Max Axial Deflection (Metric)	5
Max Axial Load Rating (lbs)	1040
Max Axial Load Rating (Metric)	4.6
Radial (R?) Static Stiffness (lbs/in)	13700
Radial (R?) Static Stiffness (Metric)	2400
Rated (R?) Static Stiffness (Imperial)	13700
Rated (R?) Static Stiffness (Metric)	2400



[Request for Quote](#)

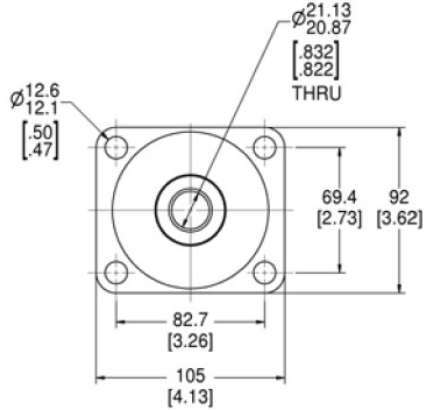
[Contact Us](#)

USA
 4392 Broadway
 Depew, NY 14043

Canada
 2290 Industrial Street
 Burlington, Ontario
 L7P 1A1

888.842.5668
 905.335.5523
 info@rpmrubberparts.com





[Request for Quote](#)

[Contact Us](#)

USA
 4392 Broadway
 Depew, NY 14043

Canada
 2290 Industrial Street
 Burlington, Ontario
 L7P 1A1

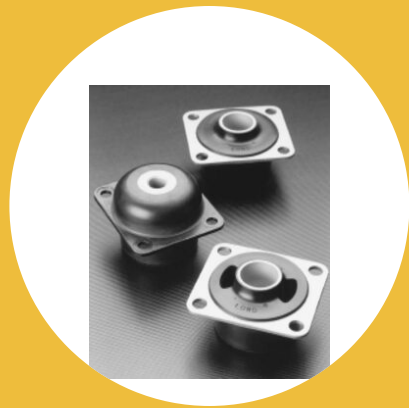
888.842.5668

905.335.5523

info@rpmrubberparts.com



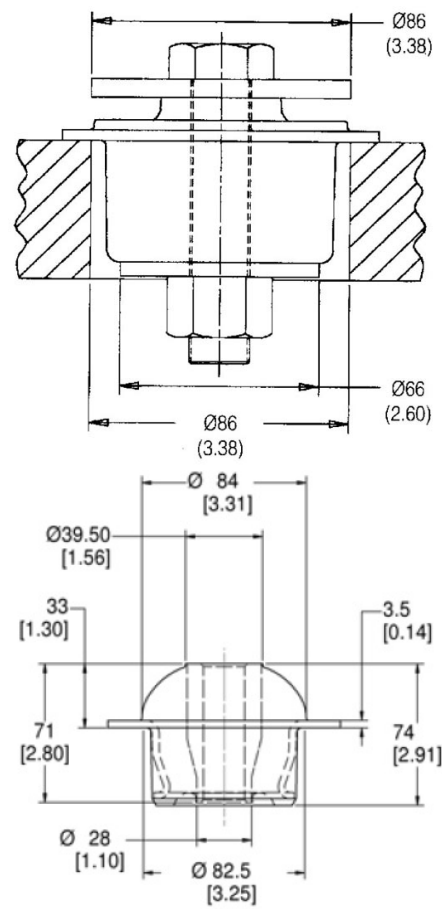
J-21100-10 Conical Mounts



Item # J-21100-10 Conical Mounts
 Manufacturer: Parker Lord Corporation

Specifications (Continued)

Rated Axial Static Deflection (in)	0.2
Rated Axial Static Deflection (Metric)	5
Rated Axial Static Load (lbs)	1040
Rated Axial Static Load (Metric)	4.6
Recommended Bolt Size (in)	3/4



[Request for Quote](#)

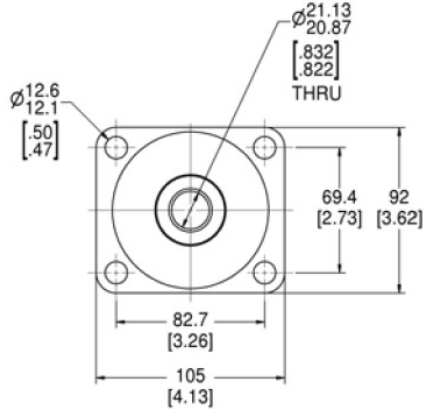
[Contact Us](#)

USA
 4392 Broadway
 Depew, NY 14043

Canada
 2290 Industrial Street
 Burlington, Ontario
 L7P 1A1

888.842.5668
 905.335.5523
info@rpmrubberparts.com





[Request for Quote](#)

[Contact Us](#)

USA
 4392 Broadway
 Depew, NY 14043

Canada
 2290 Industrial Street
 Burlington, Ontario
 L7P 1A1

888.842.5668

905.335.5523

info@rpmrubberparts.com

