

J-21100-11 Conical Mounts



Item # J-21100-11 Conical Mounts

Manufacturer: Parker Lord Corporation

Specifications

Axial Dynamic Stiffness (lbs/in)	4855
Axial Dynamic Stiffness (Metric)	690
Axial Static Stiffness (Imperial)	3950
Axial Static Stiffness (Metric)	690
Manufacturer	Parker LORD
Max Axial Deflection (in)	0.2
Max Axial Deflection (Metric)	5
Max Axial Load Rating (lbs)	1200
Max Axial Load Rating (Metric)	5.3
Radial (R?) Static Stiffness (lbs/in)	16000
Radial (R?) Static Stiffness (Metric)	2800
Rated (R?) Static Stiffness (Imperial)	16000
Rated (R?) Static Stiffness (Metric)	2800



[Request for Quote](#)

[Contact Us](#)

 **USA**
4392 Broadway
Depew, NY 14043

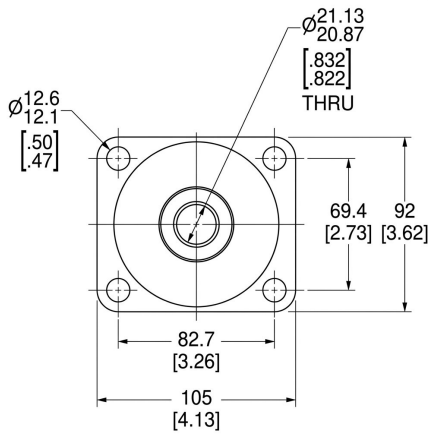
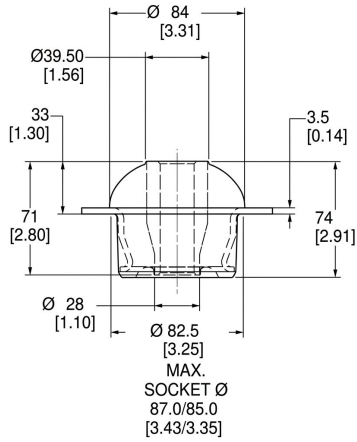
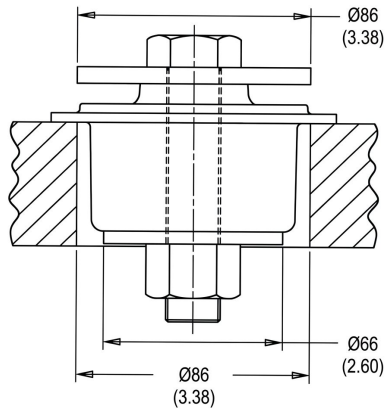
 **Canada**
2290 Industrial Street
Burlington, Ontario
L7P 1A1

 888.842.5668

 905.335.5523

 info@rpmrubberparts.com





Request for Quote

Contact Us

USA
4392 Broadway
Depew, NY 14043

Canada
2290 Industrial Street
Burlington, Ontario
L7P 1A1

☎ 888.842.5668

☎ 905.335.5523

✉ info@rpmrubberparts.com



J-21100-11 Conical Mounts



Item # J-21100-11 Conical Mounts

Manufacturer: Parker Lord Corporation


Specifications (Continued)


Rated Axial Static Deflection (in)	0.2
Rated Axial Static Deflection (Metric)	5
Rated Axial Static Load (lbs)	1200
Rated Axial Static Load (Metric)	5.3
Recommended Bolt Size (in)	3/4



[Request for Quote](#)

[Contact Us](#)

 **USA**
4392 Broadway
Depew, NY 14043

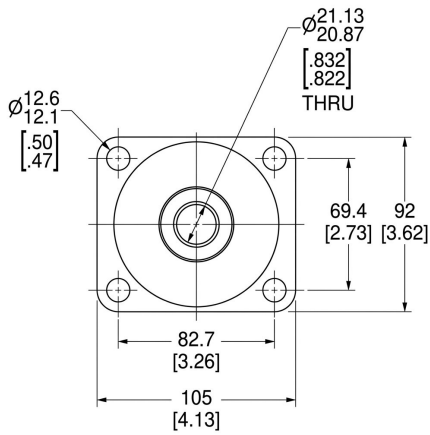
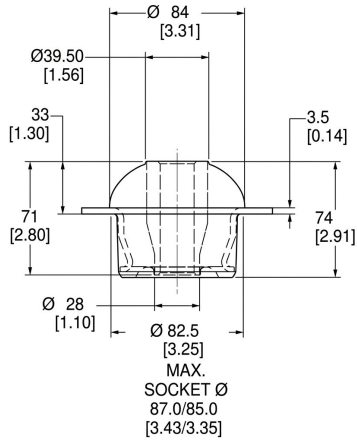
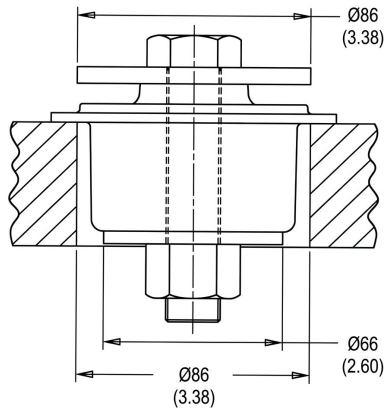
 **Canada**
2290 Industrial Street
Burlington, Ontario
L7P 1A1

 888.842.5668

 905.335.5523

 info@rpmrubberparts.com





Request for Quote

Contact Us

USA
4392 Broadway
Depew, NY 14043

Canada
2290 Industrial Street
Burlington, Ontario
L7P 1A1

888.842.5668

905.335.5523

info@rpmrubberparts.com

