

J-21100-4 Conical Mounts



Item # J-21100-4 Conical Mounts

Manufacturer: Parker Lord Corporation

Specifications

| | |
|--|-------------|
| Axial Dynamic Stiffness (lbs/in) | 2690 |
| Axial Dynamic Stiffness (Metric) | 400 |
| Axial Static Stiffness (Imperial) | 2285 |
| Axial Static Stiffness (Metric) | 400 |
| Manufacturer | Parker LORD |
| Max Axial Deflection (in) | 0.2 |
| Max Axial Deflection (Metric) | 5 |
| Max Axial Load Rating (lbs) | 720 |
| Max Axial Load Rating (Metric) | 3.2 |
| Radial (R?) Static Stiffness (lbs/in) | 9140 |
| Radial (R?) Static Stiffness (Metric) | 1600 |
| Rated (R?) Static Stiffness (Imperial) | 9140 |
| Rated (R?) Static Stiffness (Metric) | 1600 |



[Request for Quote](#)

[Contact Us](#)

 **USA**
4392 Broadway
Depew, NY 14043

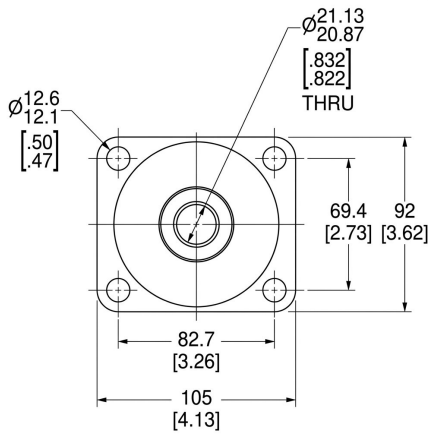
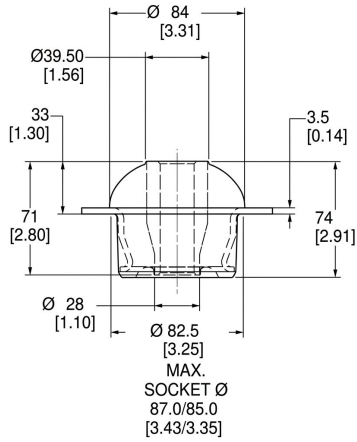
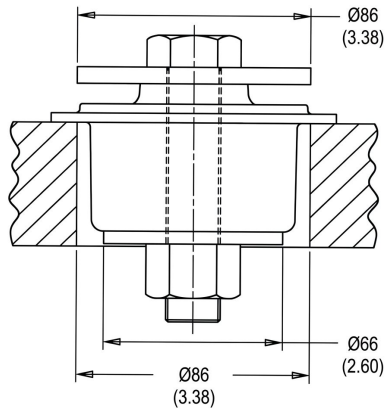
 **Canada**
2290 Industrial Street
Burlington, Ontario
L7P 1A1

 888.842.5668

 905.335.5523

 info@rpmrubberparts.com





Request for Quote

Contact Us

USA
4392 Broadway
Depew, NY 14043

Canada
2290 Industrial Street
Burlington, Ontario
L7P 1A1

☎ 888.842.5668

☎ 905.335.5523

✉ info@rpmrubberparts.com



J-21100-4 Conical Mounts

Item # J-21100-4 Conical Mounts

Manufacturer: Parker Lord Corporation




Specifications (Continued)

| | |
|--|-----|
| Rated Axial Static Deflection (in) | 0.2 |
| Rated Axial Static Deflection (Metric) | 5 |
| Rated Axial Static Load (lbs) | 720 |
| Rated Axial Static Load (Metric) | 3.2 |
| Recommended Bolt Size (in) | 3/4 |



[Request for Quote](#)


[Contact Us](#)

 **USA**
4392 Broadway
Depew, NY 14043

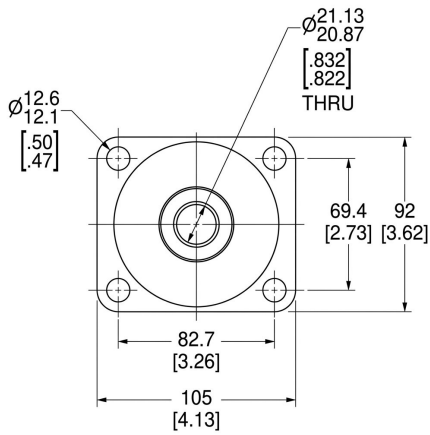
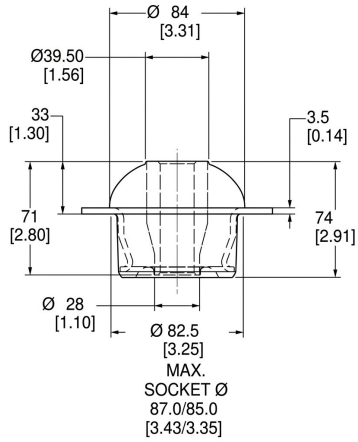
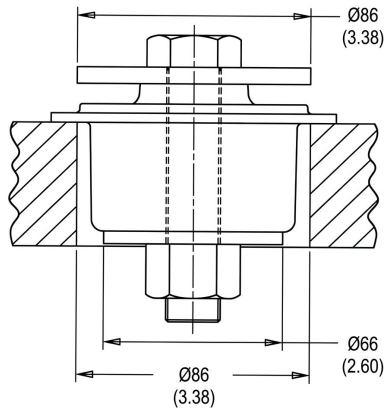
 **Canada**
2290 Industrial Street
Burlington, Ontario
L7P 1A1

 888.842.5668

 905.335.5523

 info@rpmrubberparts.com





Request for Quote

Contact Us

USA
4392 Broadway
Depew, NY 14043

Canada
2290 Industrial Street
Burlington, Ontario
L7P 1A1

888.842.5668

905.335.5523

info@rpmrubberparts.com

