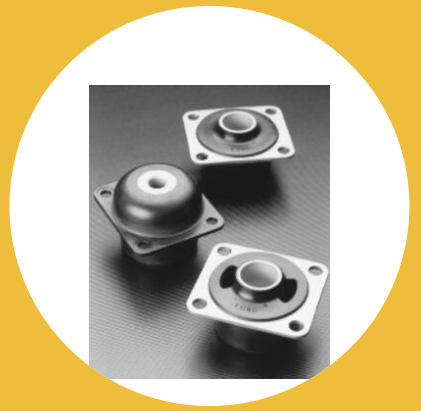


J-21100-5 Conical Mounts

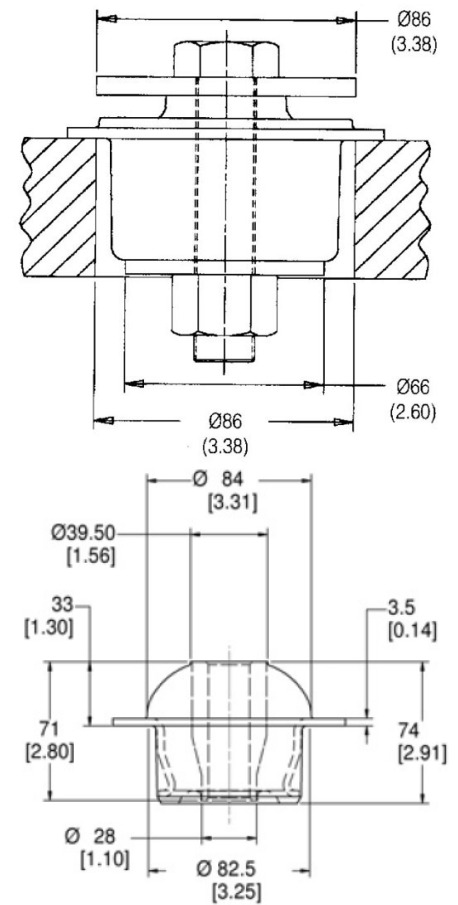
Item # J-21100-5 Conical Mounts

Manufacturer: Parker Lord Corporation



Specifications

Axial Dynamic Stiffness (lbs/in)	3430
Axial Dynamic Stiffness (Metric)	500
Axial Static Stiffness (Imperial)	2860
Axial Static Stiffness (Metric)	500
Manufacturer	Parker LORD
Max Axial Deflection (in)	0.2
Max Axial Deflection (Metric)	5
Max Axial Load Rating (lbs)	880
Max Axial Load Rating (Metric)	3.9
Radial (R?) Static Stiffness (lbs/in)	11420
Radial (R?) Static Stiffness (Metric)	2000
Rated (R?) Static Stiffness (Imperial)	11420
Rated (R?) Static Stiffness (Metric)	2000



[Request for Quote](#)

[Contact Us](#)

USA
4392 Broadway
Depew, NY 14043

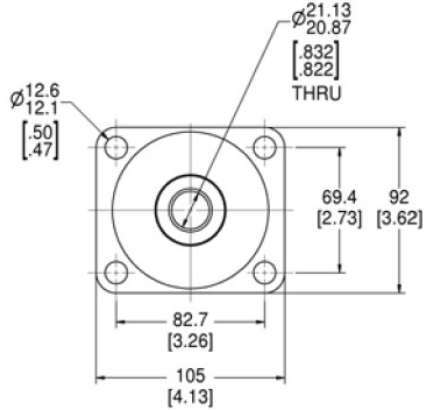
Canada
2290 Industrial Street
Burlington, Ontario
L7P 1A1

☎ 888.842.5668

☎ 905.335.5523

✉ info@rpmrubberparts.com





[Request for Quote](#)

[Contact Us](#)

USA
 4392 Broadway
 Depew, NY 14043

Canada
 2290 Industrial Street
 Burlington, Ontario
 L7P 1A1

888.842.5668

905.335.5523

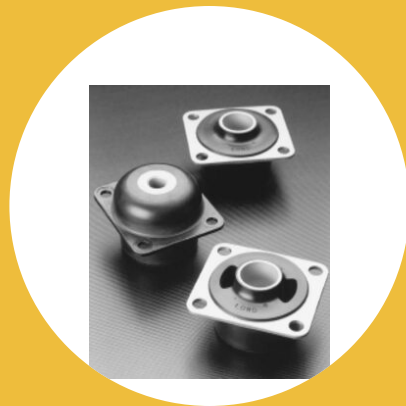
info@rpmrubberparts.com



J-21100-5 Conical Mounts

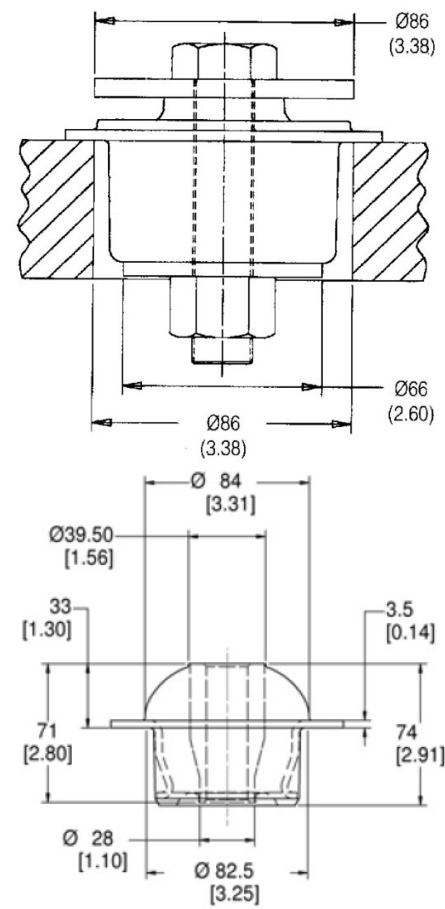
Item # J-21100-5 Conical Mounts

Manufacturer: Parker Lord Corporation



Specifications (Continued)

Rated Axial Static Deflection (in)	0.2
Rated Axial Static Deflection (Metric)	5
Rated Axial Static Load (lbs)	880
Rated Axial Static Load (Metric)	3.9
Recommended Bolt Size (in)	3/4



[Request for Quote](#)

[Contact Us](#)

USA
4392 Broadway
Depew, NY 14043

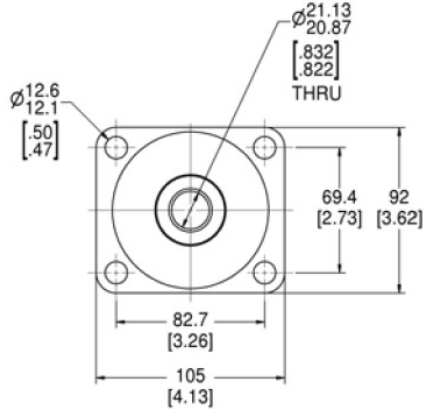
Canada
2290 Industrial Street
Burlington, Ontario
L7P 1A1

888.842.5668

905.335.5523

info@rpmrubberparts.com





[Request for Quote](#)

[Contact Us](#)

USA
 4392 Broadway
 Depew, NY 14043

Canada
 2290 Industrial Street
 Burlington, Ontario
 L7P 1A1

888.842.5668

905.335.5523

info@rpmrubberparts.com

