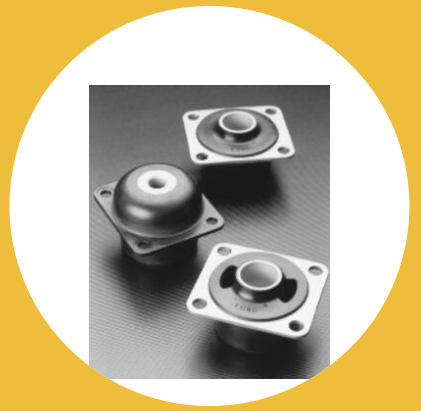


J-21102-1 Conical Mounts

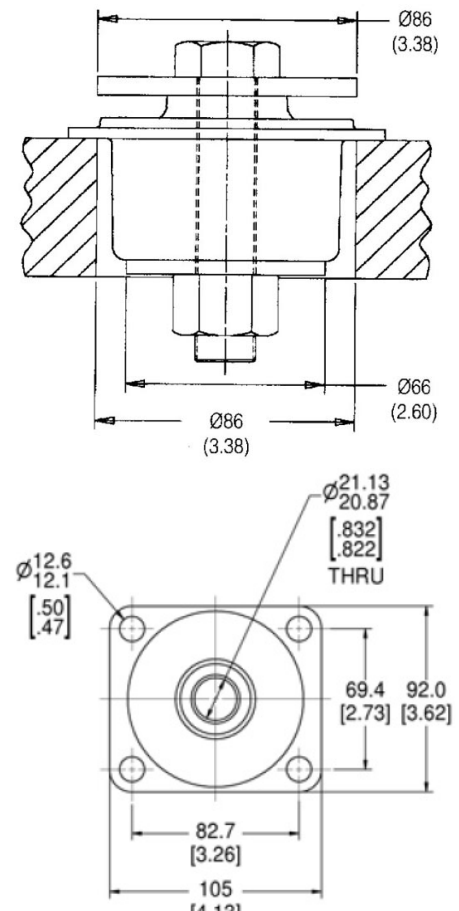
Item # J-21102-1 Conical Mounts

Manufacturer: Parker Lord Corporation



Specifications

Axial Dynamic Stiffness (lbs/in)	1200
Axial Dynamic Stiffness (Metric)	190
Axial Static Stiffness (Imperial)	1085
Axial Static Stiffness (Metric)	190
Manufacturer	Parker LORD
Max Axial Deflection (in)	0.2
Max Axial Deflection (Metric)	5
Max Axial Load Rating (lbs)	300
Max Axial Load Rating (Metric)	1.3
Radial (R?) Static Stiffness (lbs/in)	5485
Radial (R?) Static Stiffness (Metric)	960
Rated (R?) Static Stiffness (Imperial)	5485
Rated (R?) Static Stiffness (Metric)	960



[Request for Quote](#)

[Contact Us](#)

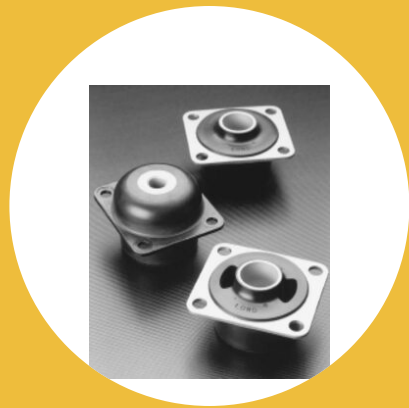
USA
4392 Broadway
Depew, NY 14043

Canada
2290 Industrial Street
Burlington, Ontario
L7P 1A1

888.842.5668
905.335.5523
info@rpmrubberparts.com



J-21102-1 Conical Mounts

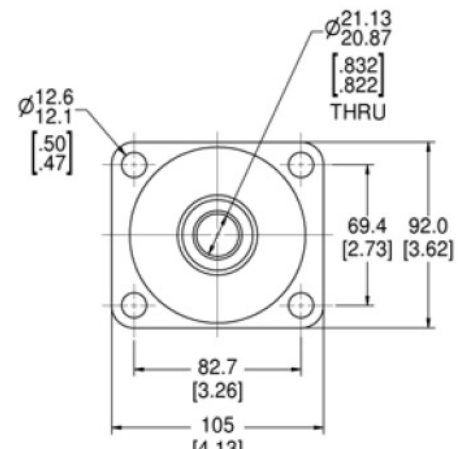
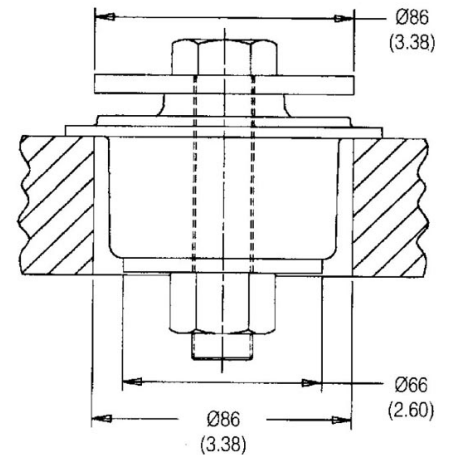


Item # J-21102-1 Conical Mounts

Manufacturer: Parker Lord Corporation

Specifications (Continued)

Rated Axial Static Deflection (in)	0.2
Rated Axial Static Deflection (Metric)	5
Rated Axial Static Load (lbs)	300
Rated Axial Static Load (Metric)	1.3
Recommended Bolt Size (in)	3/4



[Request for Quote](#)

[Contact Us](#)

USA
4392 Broadway
Depew, NY 14043

Canada
2290 Industrial Street
Burlington, Ontario
L7P 1A1

☎ 888.842.5668

☎ 905.335.5523

✉ info@rpmrubberparts.com

