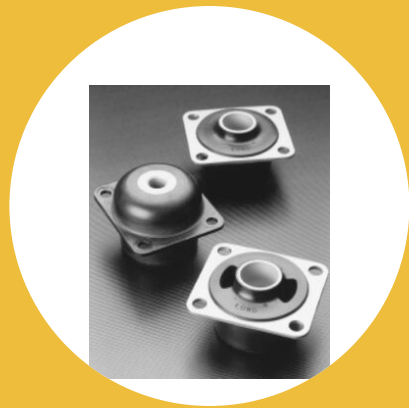


# J-21104-1 Conical Mounts

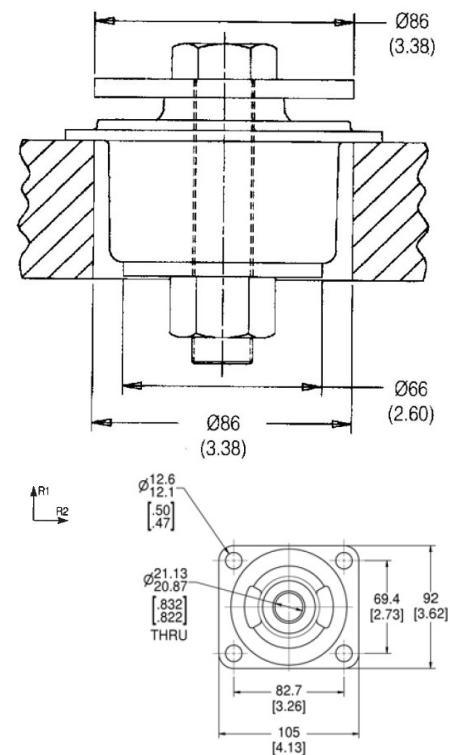


Item # J-21104-1 Conical Mounts

Manufacturer: Parker Lord Corporation

## Specifications

Axial Dynamic Stiffness (lbs/in)	685
Axial Dynamic Stiffness (Metric)	110
Axial Static Stiffness (Imperial)	630
Axial Static Stiffness (Metric)	110
Manufacturer	Parker LORD
Max Axial Deflection (in)	0.2
Max Axial Deflection (Metric)	5
Max Axial Load Rating (lbs)	185
Max Axial Load Rating (Metric)	0.82
Radial (R?) Static Stiffness (lbs/in)	3430
Radial (R?) Static Stiffness (Metric)	600
Rated (R?) Static Stiffness (Imperial)	1720
Rated (R?) Static Stiffness (Metric)	300



[Request for Quote](#)

[Contact Us](#)

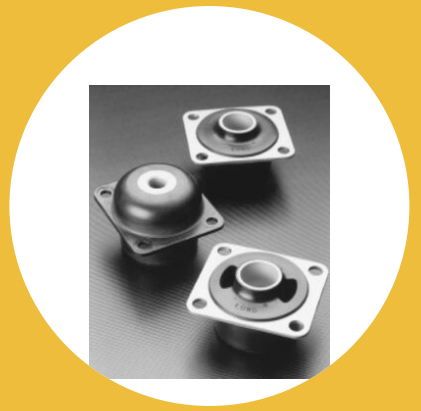
**USA**  
4392 Broadway  
Depew, NY 14043

**Canada**  
2290 Industrial Street  
Burlington, Ontario  
L7P 1A1

888.842.5668  
905.335.5523  
info@rpmrubberparts.com



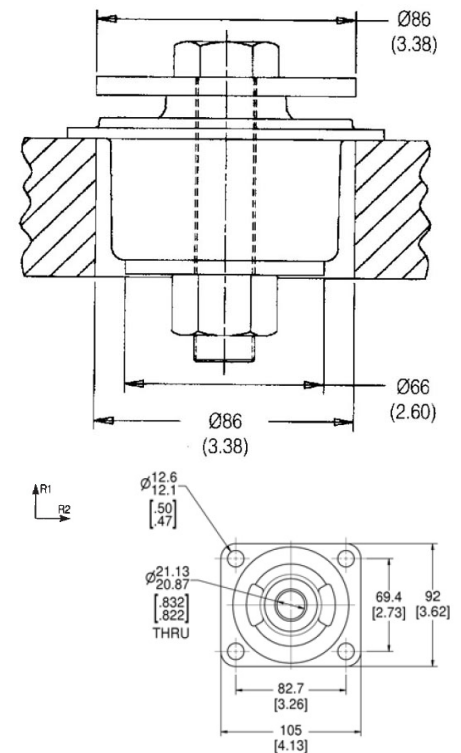
# J-21104-1 Conical Mounts



Item # J-21104-1 Conical Mounts  
 Manufacturer: Parker Lord Corporation

## Specifications (Continued)

Rated Axial Static Deflection (in)	0.2
Rated Axial Static Deflection (Metric)	5
Rated Axial Static Load (lbs)	185
Rated Axial Static Load (Metric)	0.82
Recommended Bolt Size (in)	3/4



[Request for Quote](#)

[Contact Us](#)

**USA**  
 4392 Broadway  
 Depew, NY 14043

**Canada**  
 2290 Industrial Street  
 Burlington, Ontario  
 L7P 1A1

888.842.5668

905.335.5523

info@rpmrubberparts.com

