

# J-21159-8 Conical Mounts

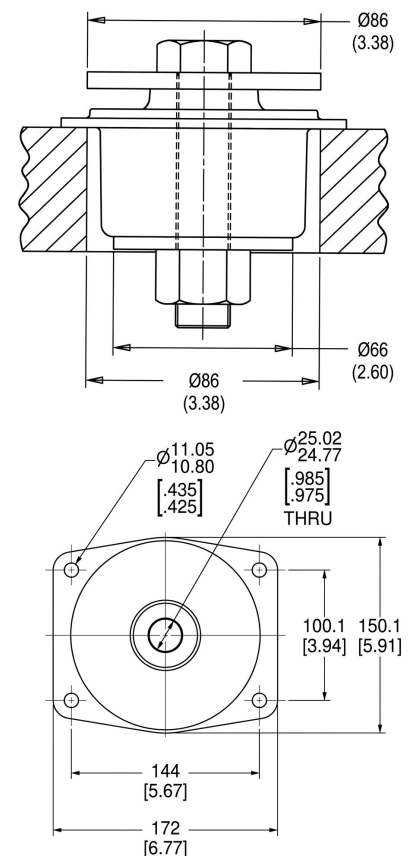
Item # J-21159-8 Conical Mounts

Manufacturer: Parker Lord Corporation



## Specifications

Axial Dynamic Stiffness (lbs/in)	7685
Axial Dynamic Stiffness (Metric)	845
Axial Static Stiffness (Imperial)	4822
Axial Static Stiffness (Metric)	845
Manufacturer	Parker LORD
Max Axial Deflection (in)	0.3
Max Axial Deflection (Metric)	7.6
Max Axial Load Rating (lbs)	1670
Max Axial Load Rating (Metric)	7430
Radial (R?) Static Stiffness (lbs/in)	18110
Radial (R?) Static Stiffness (Metric)	3170
Rated (R?) Static Stiffness (Imperial)	18110
Rated (R?) Static Stiffness (Metric)	3170



[Request for Quote](#)

[Contact Us](#)

**USA**  
4392 Broadway  
Depew, NY 14043

**Canada**  
2290 Industrial Street  
Burlington, Ontario  
L7P 1A1

888.842.5668

905.335.5523

[info@rpmrubberparts.com](mailto:info@rpmrubberparts.com)

# J-21159-8 Conical Mounts

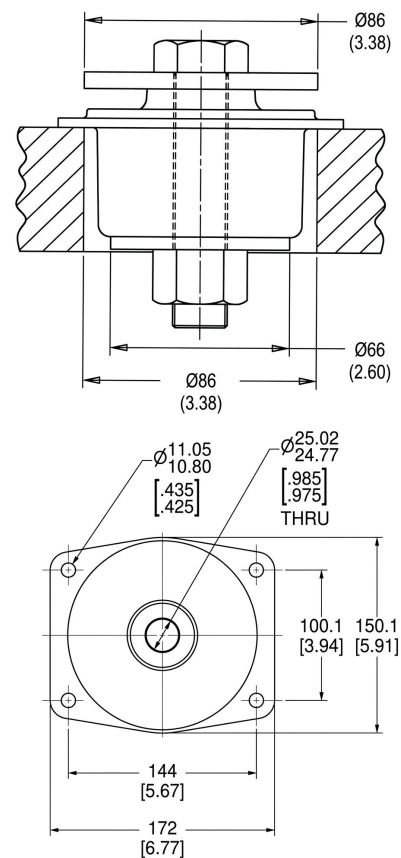
Item # J-21159-8 Conical Mounts

Manufacturer: Parker Lord Corporation



## Specifications (Continued)

Rated Axial Static Deflection (in)	0.3
Rated Axial Static Deflection (Metric)	7.6
Rated Axial Static Load (lbs)	1670
Rated Axial Static Load (Metric)	7430
Recommended Bolt Size (in)	7/8



[Request for Quote](#)

[Contact Us](#)

**USA**  
4392 Broadway  
Depew, NY 14043

**Canada**  
2290 Industrial Street  
Burlington, Ontario  
L7P 1A1

888.842.5668  
905.335.5523  
info@rpmrubberparts.com

