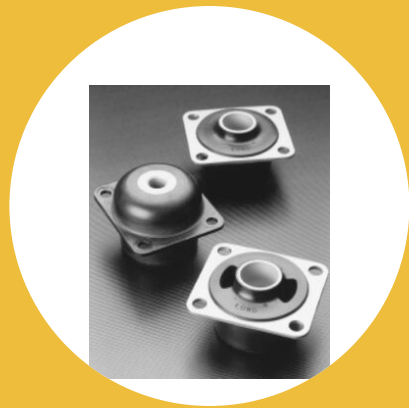


J-21159-9 Conical Mounts

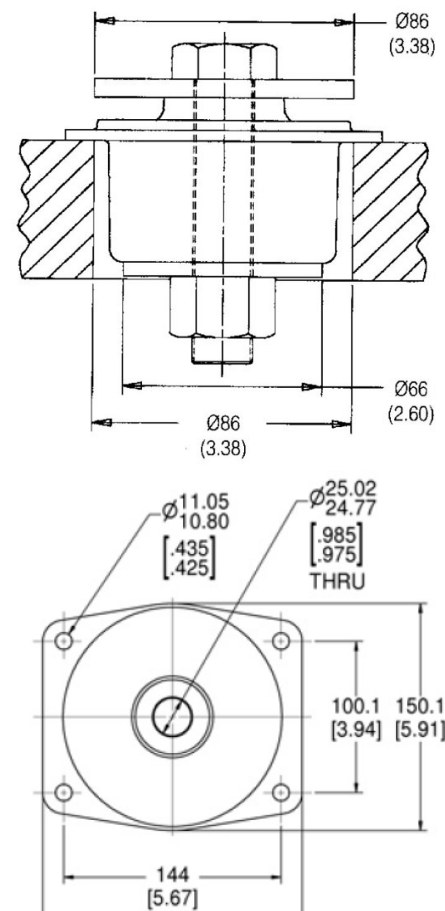


Item # J-21159-9 Conical Mounts

Manufacturer: Parker Lord Corporation

Specifications

Axial Dynamic Stiffness (lbs/in)	20250
Axial Dynamic Stiffness (Metric)	1195
Axial Static Stiffness (Imperial)	6820
Axial Static Stiffness (Metric)	1195
Manufacturer	Parker LORD
Max Axial Deflection (in)	0.3
Max Axial Deflection (Metric)	7.6
Max Axial Load Rating (lbs)	2560
Max Axial Load Rating (Metric)	11390
Radial (R?) Static Stiffness (lbs/in)	28300
Radial (R?) Static Stiffness (Metric)	4955
Rated (R?) Static Stiffness (Imperial)	28300
Rated (R?) Static Stiffness (Metric)	4955



[Request for Quote](#)

[Contact Us](#)

USA
4392 Broadway
Depew, NY 14043

Canada
2290 Industrial Street
Burlington, Ontario
L7P 1A1

888.842.5668

905.335.5523

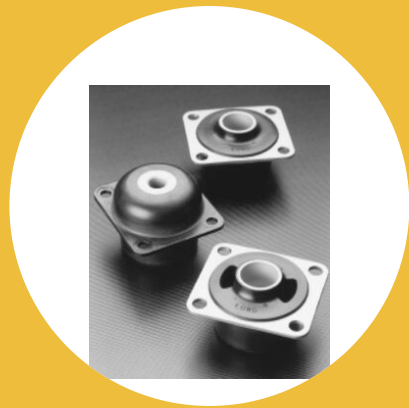
info@rpmrubberparts.com



J-21159-9 Conical Mounts

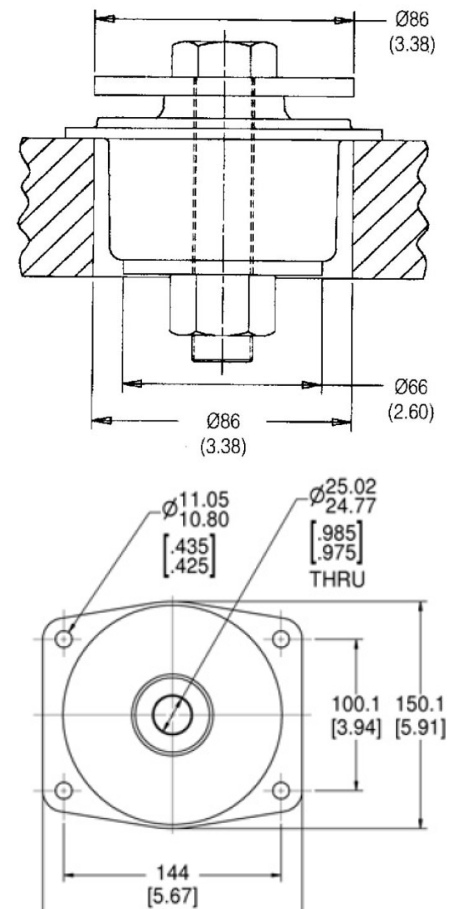
Item # J-21159-9 Conical Mounts

Manufacturer: Parker Lord Corporation



Specifications (Continued)

Rated Axial Static Deflection (in)	0.3
Rated Axial Static Deflection (Metric)	7.6
Rated Axial Static Load (lbs)	2560
Rated Axial Static Load (Metric)	11390
Recommended Bolt Size (in)	7/8



[Request for Quote](#)

[Contact Us](#)

USA
4392 Broadway
Depew, NY 14043

Canada
2290 Industrial Street
Burlington, Ontario
L7P 1A1

888.842.5668

905.335.5523

info@rpmrubberparts.com

