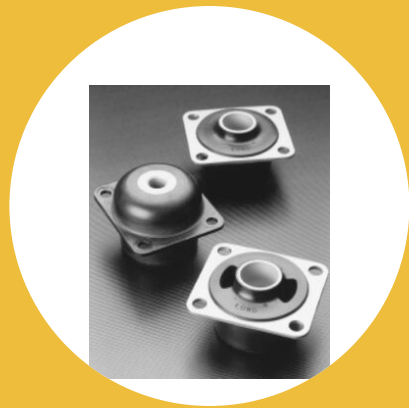


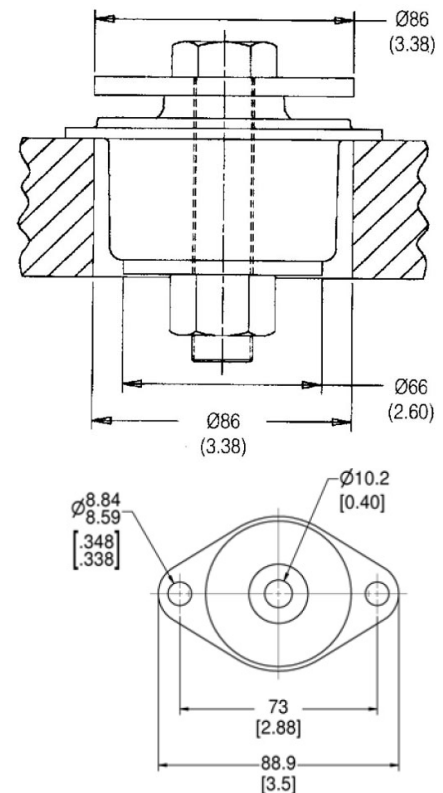
J-21212-1 Conical Mounts



Item # J-21212-1 Conical Mounts
 Manufacturer: Parker Lord Corporation

Specifications

Axial Dynamic Stiffness (lbs/in)	1450
Axial Dynamic Stiffness (Metric)	207
Axial Static Stiffness (Imperial)	1180
Axial Static Stiffness (Metric)	207
Manufacturer	Parker LORD
Max Axial Deflection (in)	0.142
Max Axial Deflection (Metric)	3.6
Max Axial Load Rating (lbs)	240
Max Axial Load Rating (Metric)	1.05
Radial (R?) Static Stiffness (lbs/in)	2640
Radial (R?) Static Stiffness (Metric)	462
Rated (R?) Static Stiffness (Imperial)	2640
Rated (R?) Static Stiffness (Metric)	462



[Request for Quote](#)

[Contact Us](#)

USA
 4392 Broadway
 Depew, NY 14043

Canada
 2290 Industrial Street
 Burlington, Ontario
 L7P 1A1

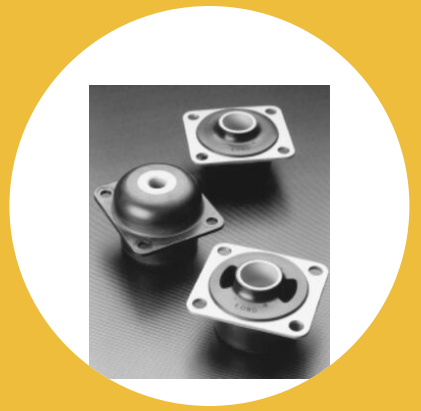
888.842.5668
 905.335.5523
 info@rpmrubberparts.com



J-21212-1 Conical Mounts

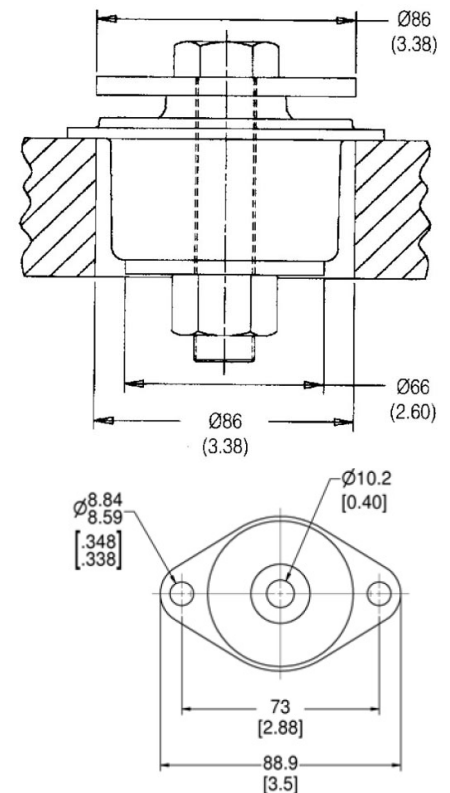
Item # J-21212-1 Conical Mounts

Manufacturer: Parker Lord Corporation



Specifications (Continued)

Rated Axial Static Deflection (in)	0.142
Rated Axial Static Deflection (Metric)	3.6
Rated Axial Static Load (lbs)	240
Rated Axial Static Load (Metric)	1.05
Recommended Bolt Size (in)	3/8



[Request for Quote](#)

[Contact Us](#)

USA
4392 Broadway
Depew, NY 14043

Canada
2290 Industrial Street
Burlington, Ontario
L7P 1A1

888.842.5668
905.335.5523
info@rpmrubberparts.com

