

# J-21246-12 Binocular Engine Mounts



Item # J-21246-12 Binocular Engine Mounts  
 Manufacturer: Parker Lord Corporation

## Specifications

Deflection at Rated Load (in)	0.054
Deflection at Rated Load (mm)	1.37
Lateral Stiffness (lbs/in)	1400
Lateral Stiffness (N/m)	245
Overall Height (C) (in)	2.66
Overall Height (C) (mm)	67.6
Rated Vertical Load (lbs)	1000
Rated Vertical Load (kg)	4448
Sleeve Length (A) (in)	2.48
Sleeve Length (A) (mm)	62.9
Socket Thickness (B) (in)	0.63
Socket Thickness (B) (mm)	16
Total Height (C) (in)	2.66

Figure 1 – Part Dimensions

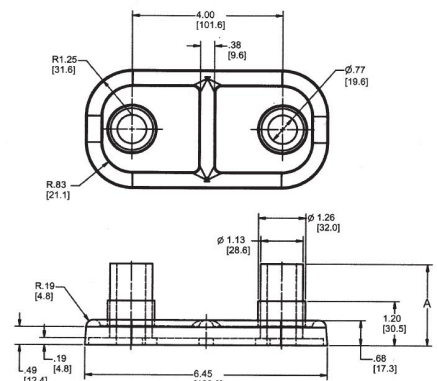
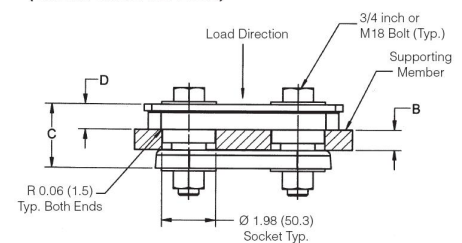


Figure 2 – Typical Installation (Shown Under No Load)



Request for Quote

Contact Us

**USA**  
 4392 Broadway  
 Depew, NY 14043

**Canada**  
 2290 Industrial Street  
 Burlington, Ontario  
 L7P 1A1

888.842.5668  
 905.335.5523  
 info@rpmrubberparts.com



# J-21246-12 Binocular Engine Mounts



Item # J-21246-12 Binocular Engine Mounts  
 Manufacturer: Parker Lord Corporation

## Specifications (Continued)

Upper Part Thickness (D) (in)	1.34
Upper Part Thickness (D) (mm)	34
Vertical Stiffness (lbs/in)	17647
Vertical Stiffness (mm)	3090

Figure 1 – Part Dimensions

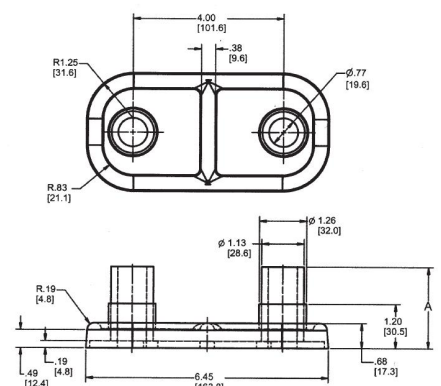
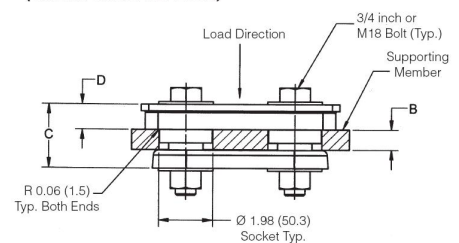


Figure 2 – Typical Installation  
 (Shown Under No Load)



Request for Quote

Contact Us

**USA**  
 4392 Broadway  
 Depew, NY 14043

**Canada**  
 2290 Industrial Street  
 Burlington, Ontario  
 L7P 1A1

888.842.5668

905.335.5523

info@rpmrubberparts.com

