

# J-21246-13 Binocular Engine Mounts



Item # J-21246-13 Binocular Engine Mounts  
 Manufacturer: Parker Lord Corporation

## Specifications

Deflection at Rated Load (in)	0.62
Deflection at Rated Load (mm)	1.58
Lateral Stiffness (lbs/in)	3300
Lateral Stiffness (N/m)	578
Overall Height (C) (in)	2.39
Overall Height (C) (mm)	60.7
Rated Vertical Load (lbs)	1500
Rated Vertical Load (kg)	6672
Sleeve Length (A) (in)	2.2
Sleeve Length (A) (mm)	55.9
Socket Thickness (B) (in)	0.75
Socket Thickness (B) (mm)	19
Total Height (C) (in)	2.39

Figure 1 – Part Dimensions

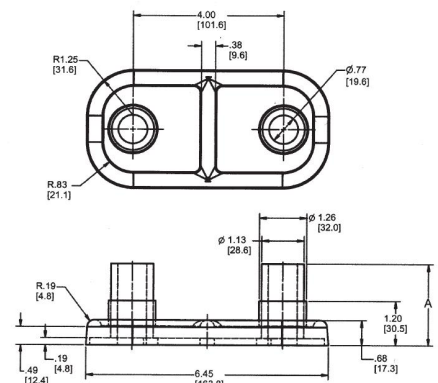
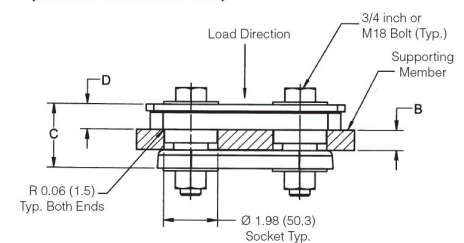


Figure 2 – Typical Installation  
 (Shown Under No Load)



Request for Quote

Contact Us

USA  
 4392 Broadway  
 Depew, NY 14043

Canada  
 2290 Industrial Street  
 Burlington, Ontario  
 L7P 1A1

888.842.5668

905.335.5523

info@rpmrubberparts.com



# J-21246-13 Binocular Engine Mounts



**Item #** J-21246-13 Binocular Engine Mounts  
**Manufacturer:** Parker Lord Corporation

## Specifications (Continued)

Upper Part Thickness (D) (in)	0.945
Upper Part Thickness (D) (mm)	24
Vertical Stiffness (lbs/in)	24000
Vertical Stiffness (mm)	4203

Figure 1 – Part Dimensions

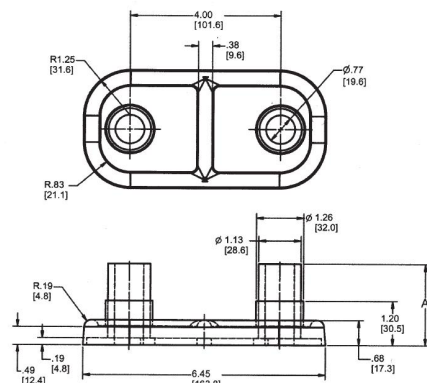
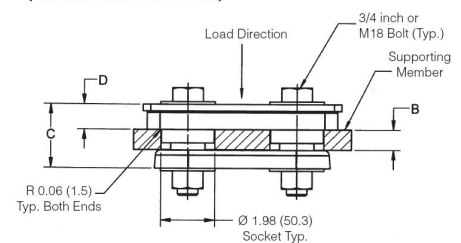


Figure 2 – Typical Installation  
 (Shown Under No Load)



[Request for Quote](#)

[Contact Us](#)

**USA**  
 4392 Broadway  
 Depew, NY 14043

**Canada**  
 2290 Industrial Street  
 Burlington, Ontario  
 L7P 1A1

888.842.5668

905.335.5523

info@rpmrubberparts.com

