

J-21246-6 Binocular Engine Mounts



Item # J-21246-6 Binocular Engine Mounts
 Manufacturer: Parker Lord Corporation

Specifications

Deflection at Rated Load (in)	0.101
Deflection at Rated Load (mm)	2.57
Lateral Stiffness (lbs/in)	1950
Lateral Stiffness (N/m)	341
Overall Height (C) (in)	2.39
Overall Height (C) (mm)	60.7
Rated Vertical Load (lbs)	1300
Rated Vertical Load (kg)	5783
Sleeve Length (A) (in)	2.48
Sleeve Length (A) (mm)	62.9
Socket Thickness (B) (in)	0.63
Socket Thickness (B) (mm)	16
Total Height (C) (in)	2.39

Figure 1 – Part Dimensions

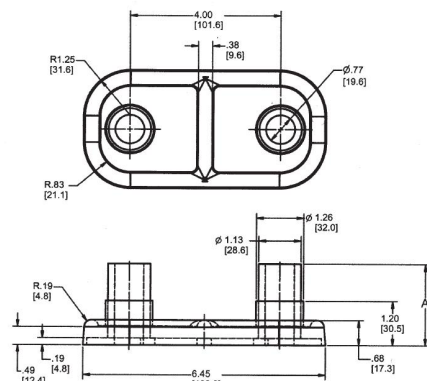
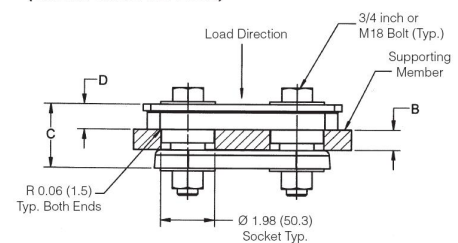


Figure 2 – Typical Installation (Shown Under No Load)



Request for Quote

Contact Us

USA
 4392 Broadway
 Depew, NY 14043

Canada
 2290 Industrial Street
 Burlington, Ontario
 L7P 1A1

888.842.5668

905.335.5523

info@rpmrubberparts.com



J-21246-6 Binocular Engine Mounts



Item # J-21246-6 Binocular Engine Mounts
 Manufacturer: Parker Lord Corporation

Specifications (Continued)

Upper Part Thickness (D) (in)	1.34
Upper Part Thickness (D) (mm)	34
Vertical Stiffness (lbs/in)	13625
Vertical Stiffness (mm)	2386

Figure 1 – Part Dimensions

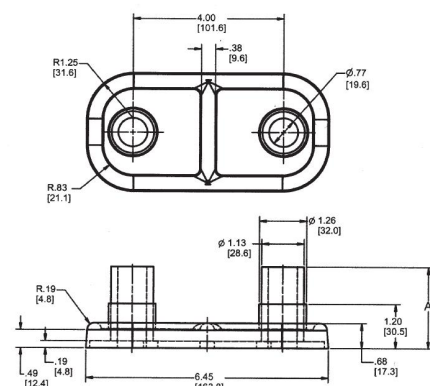
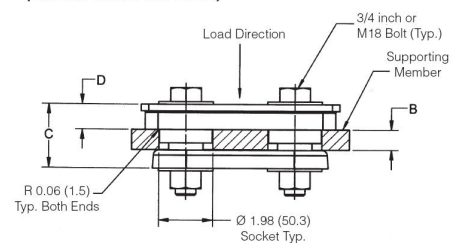


Figure 2 – Typical Installation
 (Shown Under No Load)



Request for Quote

Contact Us

USA
 4392 Broadway
 Depew, NY 14043

Canada
 2290 Industrial Street
 Burlington, Ontario
 L7P 1A1

888.842.5668

905.335.5523

info@rpmrubberparts.com

