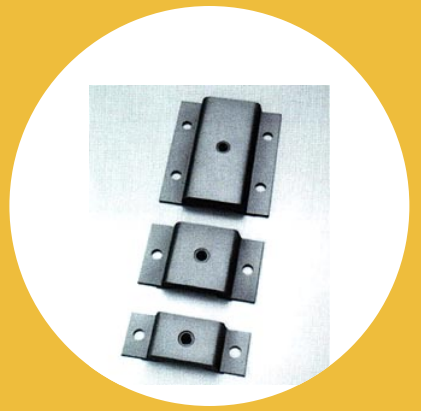


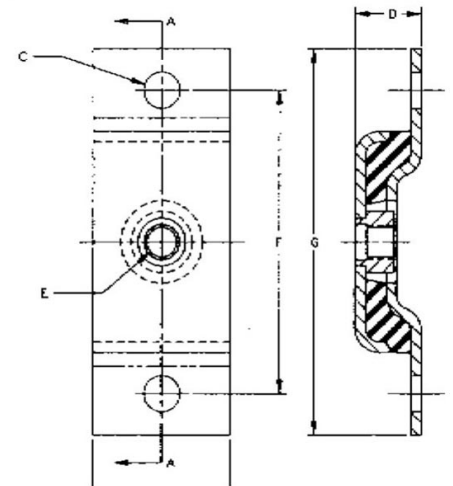
# J-2919-1 Industrial Shock Mounts



Item # J-2919-1 Industrial Shock Mounts  
 Manufacturer: Parker Lord Corporation

## Specifications

A (in)	2.5
D (in)	1.19
Diameter (C) (in)	0.656
Diameter (C) (mm)	16.7
F (in)	5.5
F (mm)	139.7
G (in)	7
G (mm)	177.8
Manufacturer	Parker LORD
Material	Neoprene Elastomer
Max Axial Deflection (in)	0.3
Max Axial Deflection (Metric)	0.762
Max Axial Load Rating (lbs)	750 to 1500



Lord Machinery Mounts are designed to support heavy equipment and isolate intermittent or continuous vibration.

The result is greater machine accuracy, longer service life, smoother operation and reduced maintenance.

These mounts are available in four types to suit different



[Request for Quote](#)

[Contact Us](#)

**USA**  
 4392 Broadway  
 Depew, NY 14043

**Canada**  
 2290 Industrial Street  
 Burlington, Ontario  
 L7P 1A1

888.842.5668

905.335.5523

info@rpmrubberparts.com



impact disturbances which could hamper their performance. Worker comfort is increased, and building structures need less maintenance.



[Request for Quote](#)

[Contact Us](#)

 **USA**  
4392 Broadway  
Depew, NY 14043

 **Canada**  
2290 Industrial Street  
Burlington, Ontario  
L7P 1A1

 888.842.5668

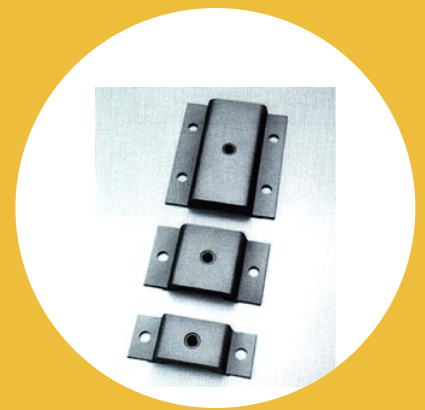
 905.335.5523

 [info@rpmrubberparts.com](mailto:info@rpmrubberparts.com)



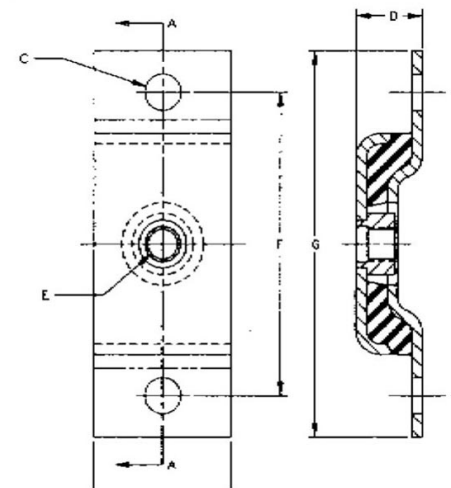
# J-2919-1 Industrial Shock Mounts

Item # J-2919-1 Industrial Shock Mounts  
 Manufacturer: Parker Lord Corporation



## Specifications (Continued)

Max Axial Load Rating (Metric)	3336 to 6672
Types	1



Lord Machinery Mounts are designed to support heavy equipment and isolate intermittent or continuous vibration.

The result is greater machine accuracy, longer service life, smoother operation and reduced maintenance.

These mounts are available in four types to suit different



[Request for Quote](#)

[Contact Us](#)

**USA**  
 4392 Broadway  
 Depew, NY 14043

**Canada**  
 2290 Industrial Street  
 Burlington, Ontario  
 L7P 1A1

☎ 888.842.5668

☎ 905.335.5523

✉ [info@rpmrubberparts.com](mailto:info@rpmrubberparts.com)



impact disturbances which could hamper their performance. Worker comfort is increased, and building structures need less maintenance.



[Request for Quote](#)

[Contact Us](#)

 **USA**  
4392 Broadway  
Depew, NY 14043

 **Canada**  
2290 Industrial Street  
Burlington, Ontario  
L7P 1A1

 888.842.5668

 905.335.5523

 [info@rpmrubberparts.com](mailto:info@rpmrubberparts.com)

