

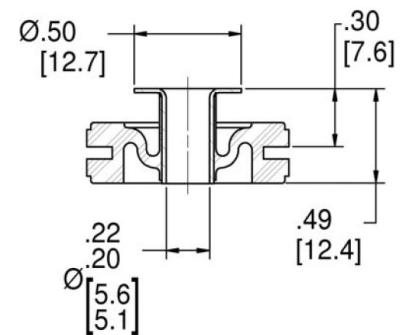
J-2927-1-4 Grommet Isolators Standard



Item # J-2927-1-4 Grommet Isolators Standard

Specifications

Axial Static Spring Rate (lbs/in)	65
Axial Static Spring Rate (Metric)	11.4
Depth (in)	0.555
Elastomer	Neoprene Oil Resistant
Ferrule Part Number	Y-4045-B
Figure	9
Max Axial Load Rating (lbs)	4
Max Axial Load Rating (Metric)	18
Radial Static Spring Rate (lbs/in)	65
Radial Static Spring Rate (Metric)	11.4
Support Member Plate Diameter (in)	0.555
Support Member Plate Diameter (mm)	14.1
Support Member Plate Thickness (in)	0.062



Lord Grommet Isolators provide effective, economical vibration isolation for light loads. They are suitable for commercial and military applications including computers, disk drives, business machines, precision instrumentation and general industrial equipment. Lord Grommet Isolators are designed and produced with the same kind of precision and care as our high performance


[Request for Quote](#)
[Contact Us](#)

USA
4392 Broadway
Depew, NY 14043

Canada
2290 Industrial Street
Burlington, Ontario
L7P 1A1

☎ 888.842.5668

☎ 905.335.5523

✉ info@rpmrubberparts.com



disturbing frequencies above 30 Hz. Damped Grommet Isolators are made of SPE®/D Elastomer. They are well suited to applications which involve limited sway space. Not recommended for Radial Static Load.



[Request for Quote](#)

[Contact Us](#)

 **USA**
4392 Broadway
Depew, NY 14043

 **Canada**
2290 Industrial Street
Burlington, Ontario
L7P 1A1

 888.842.5668

 905.335.5523

 info@rpmrubberparts.com



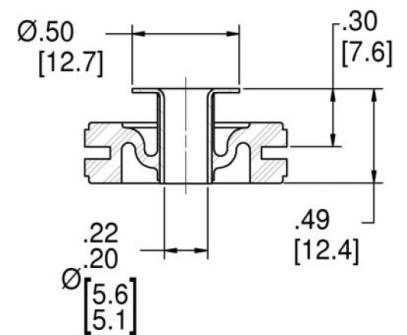
J-2927-1-4 Grommet Isolators Standard



Item # J-2927-1-4 Grommet Isolators Standard

Specifications (Continued)

Support Member Plate Thickness (mm)	1.6
Thickness (in)	0.062
Thickness (Metric)	1.6
Thread Size	#10 Screw



Lord Grommet Isolators provide effective, economical vibration isolation for light loads. They are suitable for commercial and military applications including computers, disk drives, business machines, precision instrumentation and general industrial equipment. Lord Grommet Isolators are designed and produced with the same kind of precision and care as our high performance



[Request for Quote](#)

[Contact Us](#)

USA
4392 Broadway
Depew, NY 14043

Canada
2290 Industrial Street
Burlington, Ontario
L7P 1A1

☎ 888.842.5668

☎ 905.335.5523

✉ info@rpmrubberparts.com



disturbing frequencies above 30 Hz. Damped Grommet Isolators are made of SPE®/D Elastomer. They are well suited to applications which involve limited sway space. Not recommended for Radial Static Load.



[Request for Quote](#)


[Contact Us](#)

 **USA**
4392 Broadway
Depew, NY 14043

 **Canada**
2290 Industrial Street
Burlington, Ontario
L7P 1A1

 888.842.5668

 905.335.5523

 info@rpmrubberparts.com

