

# J-3049-70 Two-Piece Mounts Ssb Series

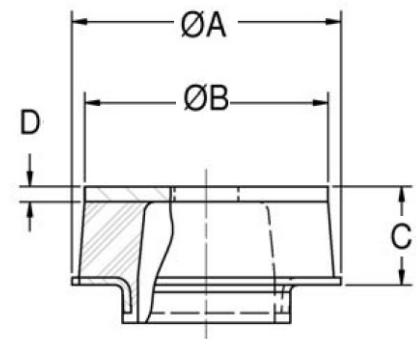


Item # J-3049-70 Two-Piece Mounts Ssb Series

Manufacturer: Parker Lord Corporation

## Specifications

A (in)	2.62
Axial Static Spring Rate (lbs/in)	17900
Axial Static Spring Rate (Metric)	3215
C (in)	0.81
D (in)	0.125
E (in)	1.81
F (in)	1.38
I (in)	0.51
I (mm)	12.9
K (in)	2.06
K (mm)	52.3
Manufacturer	Parker LORD
Material	Low Carbon Steel



Two-Piece Mounts are designed for applications involving severe dynamic forces in the static load direction, as well as the rebound direction. Travel is limited in both directions by rubber in compression which provides snubbing.

These mounts are designed to support engines, cabs and accessory units, accommodate



[Request for Quote](#)

[Contact Us](#)

**USA**  
4392 Broadway  
Depew, NY 14043

**Canada**  
2290 Industrial Street  
Burlington, Ontario  
L7P 1A1

888.842.5668

905.335.5523

[info@rpmrubberparts.com](mailto:info@rpmrubberparts.com)





uses. For off-highway, use  
80% of the load shown.



[Request for Quote](#)

[Contact Us](#)

 **USA**  
4392 Broadway  
Depew, NY 14043

 **Canada**  
2290 Industrial Street  
Burlington, Ontario  
L7P 1A1

 888.842.5668

 905.335.5523

 [info@rpmrubberparts.com](mailto:info@rpmrubberparts.com)



# J-3049-70 Two-Piece Mounts Ssb Series

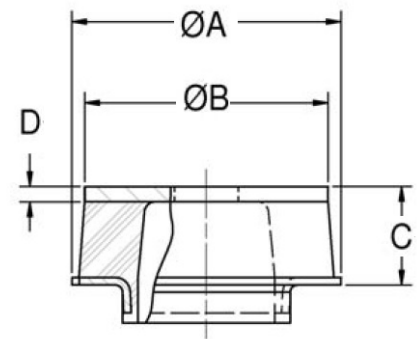


Item # J-3049-70 Two-Piece Mounts Ssb Series

Manufacturer: Parker Lord Corporation

## Specifications (Continued)

Max Axial Static Load at Deflection (lbs)	685 at 0.04
Max Axial Static Load Rating at Deflection (lbs/in)	685 at 0.04
Radial Static Spring Rate (lbs/in)	2230
Radial Static Spring Rate (Metric)	2230
Recommended Bolt Grade or Class (SAE J1199)	5.8
Recommended Bolt Grade or Class (SAE J429)	2
Recommended Bolt Size (in)	0.5
SD (in)	1.4
SD (mm)	35.6
Series	Armored Series
T (in)	0.625
T (mm)	15.9
Types	Mtg.



Two-Piece Mounts are designed for applications involving severe dynamic forces in the static load direction, as well as the rebound direction. Travel is limited in both directions by rubber in compression which provides snubbing. These mounts are designed to support engines, cabs and accessory units, accommodate frame twisting and twisting.



[Request for Quote](#)

[Contact Us](#)

**USA**  
4392 Broadway  
Depew, NY 14043

**Canada**  
2290 Industrial Street  
Burlington, Ontario  
L7P 1A1

888.842.5668

905.335.5523

[info@rpmrubberparts.com](mailto:info@rpmrubberparts.com)




uses. For off-highway, use  
80% of the load shown.



[Request for Quote](#)

[Contact Us](#)

 **USA**  
4392 Broadway  
Depew, NY 14043

 **Canada**  
2290 Industrial Street  
Burlington, Ontario  
L7P 1A1

 888.842.5668

 905.335.5523

 [info@rpmrubberparts.com](mailto:info@rpmrubberparts.com)

