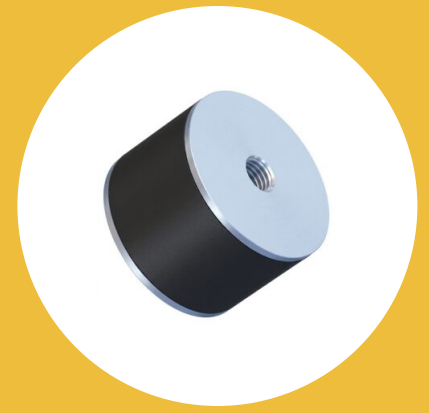


J-3424-143 Sandwich Mounts Unc Thread Type 4

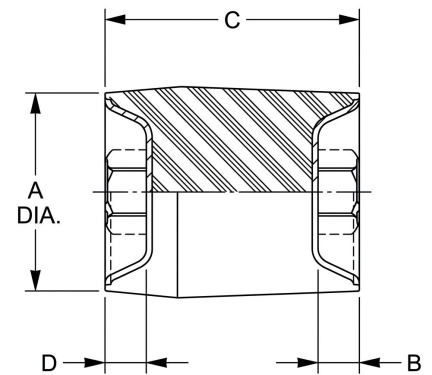


Item # J-3424-143 Sandwich Mounts Unc Thread Type 4

Manufacturer: Parker Lord Corporation

Specifications

| | |
|---------------------------------------|----------------|
| A (in) | 2 |
| B (in) | 0.4 |
| C (in) | 2.12 |
| Compression Spring Rate Kc (Imperial) | 650 |
| Compression Spring Rate Kc (Metric) | 114 |
| Compression Static Load (lbs) | 130 |
| Compression Static Load (Metric) | 578 |
| D (in) | 0.4 |
| Elastomer | Natural Rubber |
| Grade per SAE J429 | 2 |
| Manufacturer | Parker LORD |
| Shear Spring Rate Ks (lbs/in) | 115 |
| Shear Spring Rate Ks (Metric) | 20 |



Flex-Bolt® Sandwich Mounts are Manufactured by LORD Corporation.



Request for Quote

Contact Us

USA
4392 Broadway
Depew, NY 14043

Canada
2290 Industrial Street
Burlington, Ontario
L7P 1A1

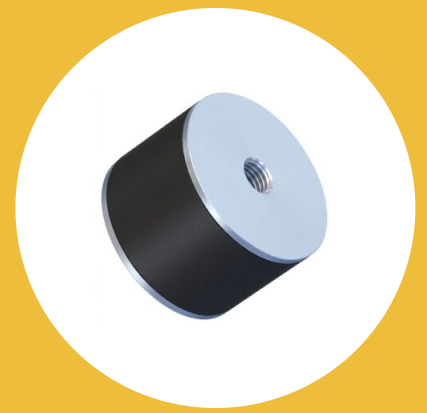
☎ 888.842.5668

☎ 905.335.5523

✉ info@rpmrubberparts.com



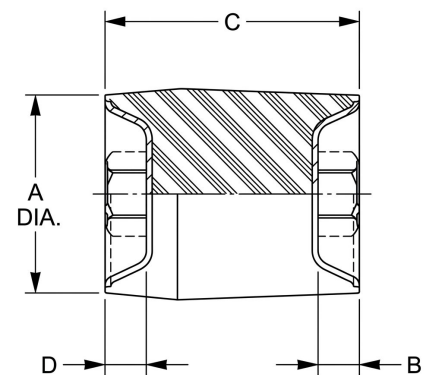
J-3424-143 Sandwich Mounts Unc Thread Type 4



Item # J-3424-143 Sandwich Mounts Unc Thread Type 4
Manufacturer: Parker Lord Corporation

Specifications (Continued)

| | |
|----------------------------|------------|
| Shear Static Load (lbs) | 23 |
| Shear Static Load (Metric) | 102 |
| Thread Size | 1/2-13 UNC |
| Types | 4 |



Flex-Bolt® Sandwich Mounts
are Manufactured by LORD
Corporation.



[Request for Quote](#)

[Contact Us](#)

USA
4392 Broadway
Depew, NY 14043

Canada
2290 Industrial Street
Burlington, Ontario
L7P 1A1

888.842.5668

905.335.5523

info@rpmrubberparts.com

