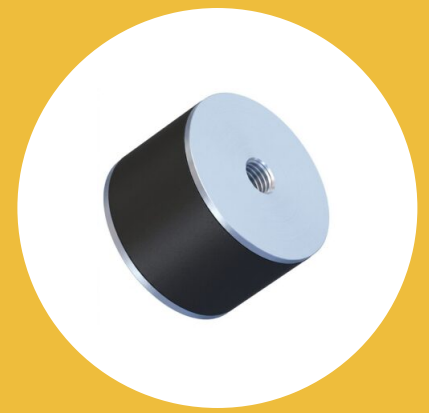


J-3424-49 Sandwich Mounts Unc Thread Type 4

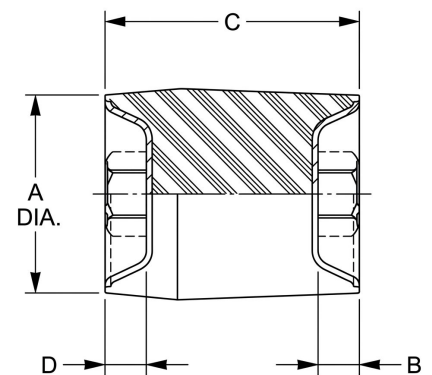


Item # J-3424-49 Sandwich Mounts Unc Thread Type 4

Manufacturer: Parker Lord Corporation

Specifications

A (in)	2
B (in)	0.4
C (in)	3
Compression Spring Rate Kc (Imperial)	455
Compression Spring Rate Kc (Metric)	80
Compression Static Load (lbs)	184
Compression Static Load (Metric)	818
D (in)	0.4
Elastomer	Natural Rubber
Grade per SAE J429	2
Manufacturer	Parker LORD
Shear Spring Rate Ks (lbs/in)	75
Shear Spring Rate Ks (Metric)	13



Flex-Bolt® Sandwich Mounts are Manufactured by LORD Corporation.



[Request for Quote](#)

[Contact Us](#)

USA
4392 Broadway
Depew, NY 14043

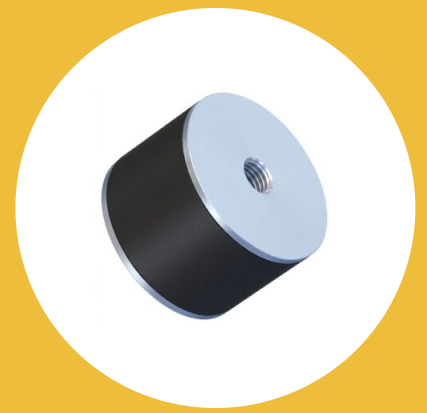
Canada
2290 Industrial Street
Burlington, Ontario
L7P 1A1

888.842.5668

905.335.5523

info@rpmrubberparts.com

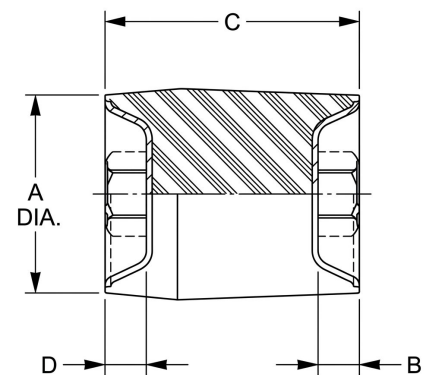
J-3424-49 Sandwich Mounts Unc Thread Type 4



Item # J-3424-49 Sandwich Mounts Unc Thread Type 4
Manufacturer: Parker Lord Corporation

Specifications (Continued)

Shear Static Load (lbs)	30
Shear Static Load (Metric)	133
Thread Size	1/2-13 UNC
Types	4



Flex-Bolt® Sandwich Mounts
are Manufactured by LORD
Corporation.



[Request for Quote](#)

[Contact Us](#)

USA
4392 Broadway
Depew, NY 14043

Canada
2290 Industrial Street
Burlington, Ontario
L7P 1A1

888.842.5668

905.335.5523

info@rpmrubberparts.com

