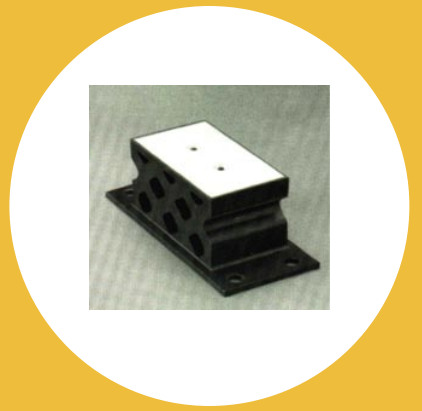


J-4557-13 Lattice Mount

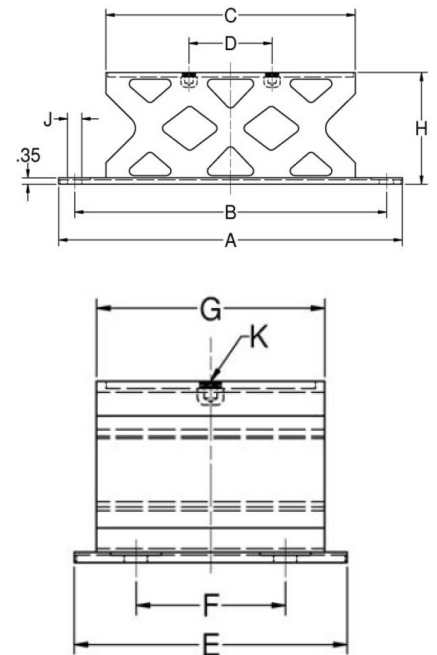


Item # J-4557-13 Lattice Mount

Manufacturer: Lord Corporation

Specifications

A (in)	12
B (in)	10.38
C (in)	8.5
D (in)	2.75
E (in)	5
F (in)	3.25
F (mm)	82.6
G (in)	4.08
G (mm)	103.6
J (in)	0.76
J (mm)	19.3
Manufacturer	Parker LORD
Max Axial Deflection (in)	0.5



[Request for Quote](#)

[Contact Us](#)

USA
4392 Broadway
Depew, NY 14043

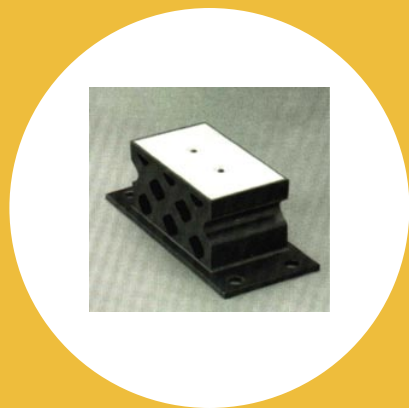
Canada
2290 Industrial Street
Burlington, Ontario
L7P 1A1

☎ 888.842.5668
☎ 905.335.5523
✉ info@rpmrubberparts.com



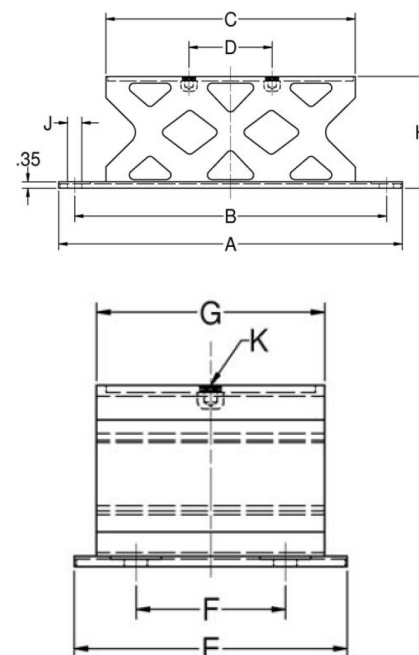
J-4557-13 Lattice Mount

Item # J-4557-13 Lattice Mount
 Manufacturer: Lord Corporation



Specifications (Continued)

Max Axial Deflection (Metric)	12.7
Max Axial Load Rating (lbs)	1000
Max Axial Load Rating (Metric)	4448
Types	I
Weight (lbs/ft)	9.2
Weight (Metric)	4.2



[Request for Quote](#)

[Contact Us](#)

USA
 4392 Broadway
 Depew, NY 14043

Canada
 2290 Industrial Street
 Burlington, Ontario
 L7P 1A1

888.842.5668
 905.335.5523
info@rpmrubberparts.com

