

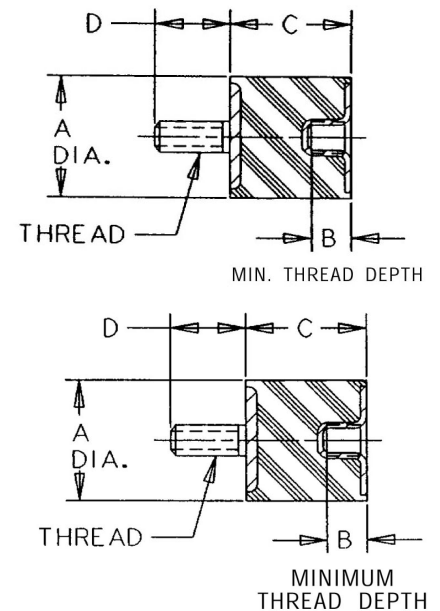
J-4624-640 Sandwich Mounts Metric Thread Type 2



Item # J-4624-640 Sandwich Mounts Metric Thread Type 2
 Manufacturer: LORD Corporation

Specifications

A (in)	1
B (in)	1/4
C (in)	0.75
Compression Spring Rate Kc (Imperial)	750
Compression Spring Rate Kc (Metric)	131
Compression Static Load (lbs)	45
Compression Static Load (Metric)	200
D (in)	0.75
Durometer	37
Elastomer	Natural Rubber
Grade per SAE J429	4.6
Manufacturer	Parker LORD
Shear Spring Rate Ks (lbs/in)	155



[Request for Quote](#)

[Contact Us](#)

USA
 4392 Broadway
 Depew, NY 14043

Canada
 2290 Industrial Street
 Burlington, Ontario
 L7P 1A1

888.842.5668

905.335.5523

info@rpmrubberparts.com



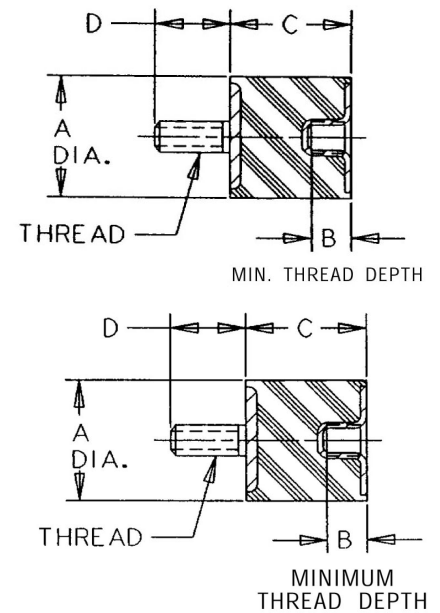
J-4624-640 Sandwich Mounts Metric Thread Type 2



Item # J-4624-640 Sandwich Mounts Metric Thread Type 2
 Manufacturer: LORD Corporation

Specifications (Continued)

Shear Spring Rate Ks (Metric)	27
Shear Static Load (lbs)	6
Shear Static Load (Metric)	27
Thread Size	M6
Thread Type	Metric
Types	2



[Request for Quote](#)

[Contact Us](#)

USA
 4392 Broadway
 Depew, NY 14043

Canada
 2290 Industrial Street
 Burlington, Ontario
 L7P 1A1

☎ 888.842.5668

☎ 905.335.5523

✉ info@rpmrubberparts.com

