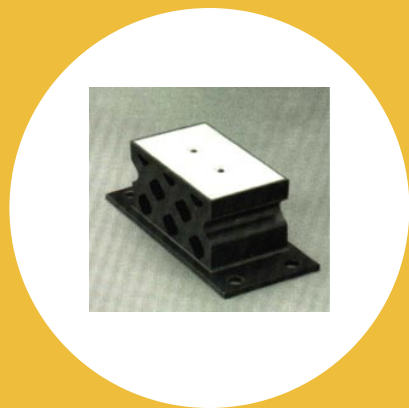


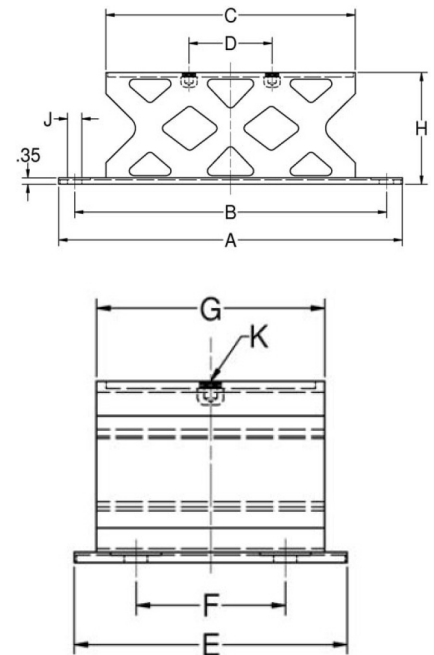
J-4976-8 Lattice Mount



Item # J-4976-8 Lattice Mount
 Manufacturer: Lord Corporation

Specifications

A (in)	12.5
B (in)	10.88
C (in)	8.25
D (in)	2.75
E (in)	5.5
F (in)	3.25
F (mm)	82.6
G (in)	4.56
G (mm)	115.8
J (in)	0.76
J (mm)	19.3
Manufacturer	Parker LORD
Max Axial Deflection (in)	0.62



[Request for Quote](#)

[Contact Us](#)

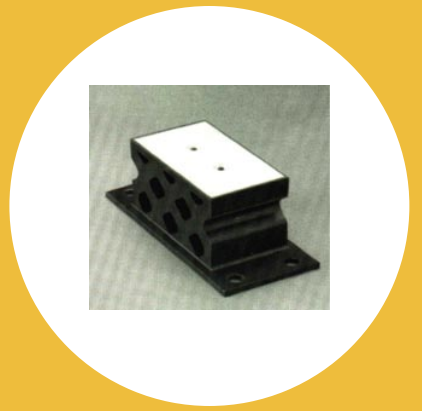
USA
 4392 Broadway
 Depew, NY 14043

Canada
 2290 Industrial Street
 Burlington, Ontario
 L7P 1A1

888.842.5668
 905.335.5523
info@rpmrubberparts.com



J-4976-8 Lattice Mount

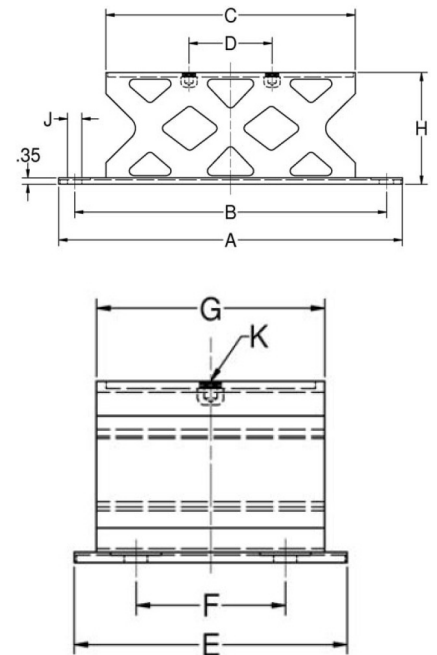


Item # J-4976-8 Lattice Mount

Manufacturer: Lord Corporation

Specifications (Continued)

Max Axial Deflection (Metric)	15.7
Max Axial Load Rating (lbs)	650
Max Axial Load Rating (Metric)	2891
Types	I
Weight (lbs/ft)	10.6
Weight (Metric)	4.8



[Request for Quote](#)

[Contact Us](#)

USA
4392 Broadway
Depew, NY 14043

Canada
2290 Industrial Street
Burlington, Ontario
L7P 1A1

888.842.5668

905.335.5523

info@rpmrubberparts.com

