

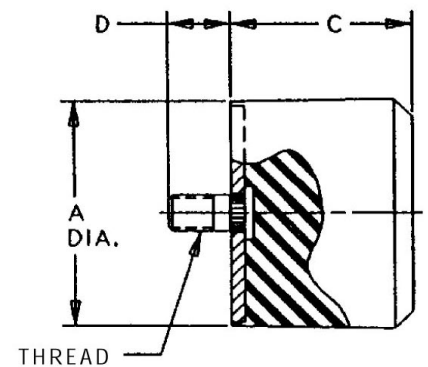
J-5425-169 Sandwich Mounts Unc Thread Type 3



Item # J-5425-169 Sandwich Mounts Unc Thread Type 3
Manufacturer: Lord Corporation

Specifications

A (in)	3.12
C (in)	2.5
Compression Spring Rate Kc (Imperial)	2680
Compression Spring Rate Kc (Metric)	469
Compression Static Load (lbs)	1100
Compression Static Load (Metric)	4893
D (in)	0.75
Durometer	56
Elastomer	Natural Rubber
Grade per SAE J429	2
Manufacturer	Parker LORD
Thread Size	1/2-13 UNC
Types	3



Flex-Bolt® Sandwich Mounts are Manufactured by LORD Corporation.



[Request for Quote](#)

[Contact Us](#)

USA
4392 Broadway
Depew, NY 14043

Canada
2290 Industrial Street
Burlington, Ontario
L7P 1A1

☎ 888.842.5668

☎ 905.335.5523

✉ info@rpmrubberparts.com

