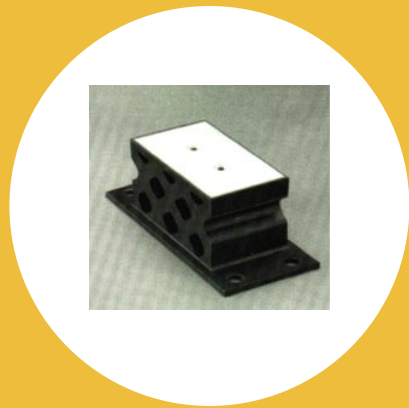


# J-5665-34 Lattice Mount

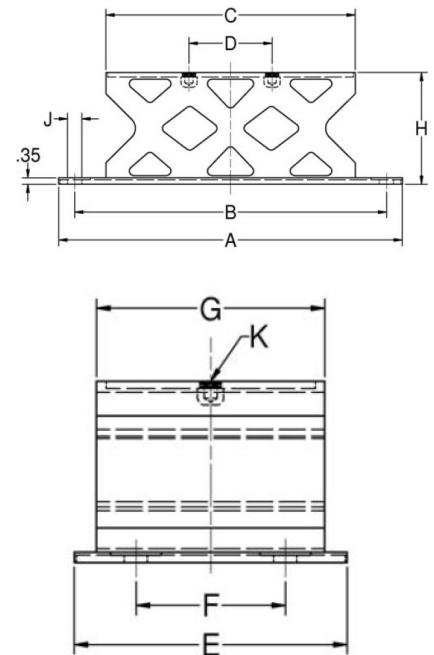


Item # J-5665-34 Lattice Mount

Manufacturer: Lord Corporation

## Specifications

A (in)	18.6
B (in)	16.88
C (in)	13.5
D (in)	4.5
E (in)	9.14
F (in)	5
F (mm)	127
G (in)	7.62
G (mm)	193.5
J (in)	0.76
J (mm)	19.3
Manufacturer	Parker LORD
Max Axial Deflection (in)	1



[Request for Quote](#)

[Contact Us](#)

**USA**  
4392 Broadway  
Depew, NY 14043

**Canada**  
2290 Industrial Street  
Burlington, Ontario  
L7P 1A1

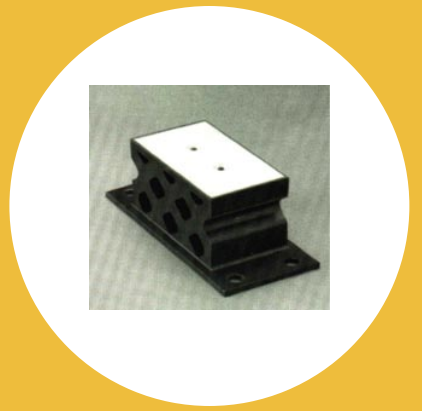
888.842.5668

905.335.5523

[info@rpmrubberparts.com](mailto:info@rpmrubberparts.com)



# J-5665-34 Lattice Mount

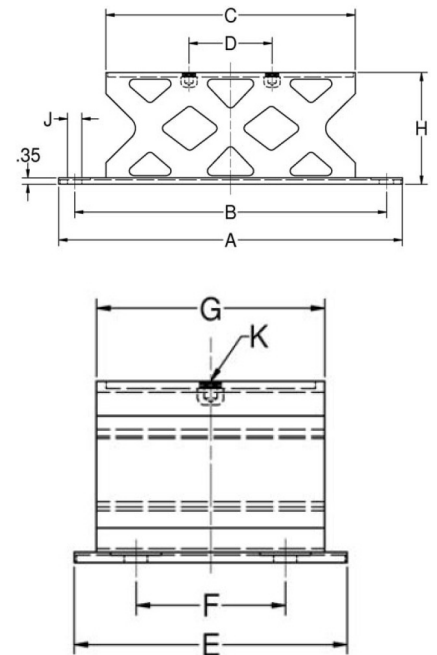


Item # J-5665-34 Lattice Mount

Manufacturer: Lord Corporation

## Specifications (Continued)

Max Axial Deflection (Metric)	25.4
Max Axial Load Rating (lbs)	4000
Max Axial Load Rating (Metric)	17793
Types	I
Weight (lbs/ft)	26.5
Weight (Metric)	12



[Request for Quote](#)

[Contact Us](#)

**USA**  
4392 Broadway  
Depew, NY 14043

**Canada**  
2290 Industrial Street  
Burlington, Ontario  
L7P 1A1

888.842.5668  
905.335.5523  
info@rpmrubberparts.com

